

## iDS-2CD8A46G0-IZHS 4 MP IR Varifocal Bullet Network Camera

**DarkFighter**



### DeepinView<sup>series</sup>

- High quality imaging with 4 MP resolution
- Motorized vari-focal lens for easy installation and monitoring
- Clear imaging against strong back light due to 140 dB WDR technology
- Efficient H.265+ compression technology
- Water and dust resistant (IP67) and vandal proof (IK10)
- 3D DNR technology delivers clean and sharp images



## ▪ Specification

Camera	
Image Sensor	1/1.8" Progressive Scan CMOS
Min. Illumination	Color: 0.0045 Lux @ (F1.8, AGC ON), 0 Lux with IR
Shutter Speed	1 s to 1/100,000 s
Slow Shutter	Yes
Wide Dynamic Range	140dB
Day & Night	ICR Cut
Angle Adjustment	Pan: 0° to 355°, tilt: 0° to 75°, rotate: 0° to 355°
Lens	
Focus	Auto, semi-auto, manual
Lens Type & FOV	Motorized lens, 8 to 32 mm Horizontal FOV 38° to 15°, vertical FOV 21° to 9°, diagonal FOV 43° to 18°
Aperture	F1.8 to F2.0
Lens Mount	Integrated
Blue Glass Module	Yes
Illuminator	
IR Range	Up to 100 m
Wavelength	850 nm
Video	
Max. Resolution	2560 × 1440
Main Stream	50Hz: 25fps (2560 × 1440, 1920 × 1080, 1280 × 720) 60Hz: 30fps (2560 × 1440, 1920 × 1080, 1280 × 720)
Sub Stream	50Hz: 25fps (704 × 576, 640 × 480) 60Hz: 30fps (704 × 480, 640 × 480)
Third Stream	50Hz: 25fps (1920 × 1080, 1280 × 720, 704 × 576, 640 × 480) 60Hz: 30fps (1920 × 1080, 1280 × 720, 704 × 480, 640 × 480)
Fourth Stream	50Hz: 25fps (704 × 576, 640 × 480) 60Hz: 30fps (704 × 480, 640 × 480)
Fifth Stream	50Hz: 25fps (704 × 576, 640 × 480) 60Hz: 30fps (704 × 480, 640 × 480)
Video Compression	Main stream: H.265+/H.265/H.264+/H.264 Sub-stream/Fourth Stream/Fifth Stream: H.265/H.264/MJPEG Third stream: H.265/H.264
Video Bit Rate	32 Kbps to 16 Mbps
H.264 Type	Baseline Profile/Main Profile/High Profile
H.265 Type	Main Profile
H.264+	Main stream supports
H.265+	Main stream supports
Stream Type	5 defined streams
Scalable Video Coding (SVC)	H.264 and H.265 encoding
Region of Interest (ROI)	4 fixed regions and dynamic face tracking for each stream
Audio	
Environment Noise Filtering	Yes
Audio Sampling Rate	8 kHz/16 kHz/32 kHz/48 kHz
Audio Compression	G.711/G.722.1/G.726/MP2L2/PCM

Audio Bit Rate	64Kbps(G.711)/16Kbps(G.722.1)/16Kbps(G.726)/32-192Kbps(MP2L2)/32Kbps(PCM)
<b>Network</b>	
Simultaneous Live View	Up to 20 channels
API	ONVIF (PROFILE S, PROFILE G, PROFILE T), ISAPI, SDK
Protocols	TCP/IP, ICMP, HTTP, HTTPS, FTP, DHCP, DNS, DDNS, RTP, RTSP, RTCP, PPPoE, NTP, UPnP, SMTP, SNMP, IGMP, 802.1X, QoS, IPv6, UDP, Bonjour, SSL/TLS
User/Host	Up to 32 users. 3 user levels: administrator, operator and user
Security	Password protection, complicated password, HTTPS encryption, 802.1X authentication (EAP-TLS, EAP-LEAP, EAP-MD5), watermark, IP address filter, basic and digest authentication for HTTP/HTTPS, WSSE and digest authentication for ONVIF, TLS 1.2
Network Storage	microSD/SDHC/SDXC card (256 GB), local storage and NAS (NFS,SMB/CIFS), ANR ; Together with ordinary memory card, memory card encryption is supported; Together with high-end Hikvision memory card, memory card encryption and health detection are supported.
Client	iVMS-4200, Hik-Connect, Hik-Central
Web Browser	Plug-in required live view: IE8+, Chrome41.0-44, Firefox30.0-51, Safari8.0-11 Plug-in free live view: Chrome45.0+, Firefox52.0+
<b>Image</b>	
Day/Night Switch	Day/Night/Auto/Schedule/Triggered by Alarm In
Picture Overlay	LOGO picture can be overlaid on video with 128 × 128 24bit bmp format.
Image Enhancement	BLC, HLC, Defog, EIS, Lens Distortion, 3D DNR
Image Settings	Rotate mode, saturation, brightness, contrast, sharpness, white balance adjustable by client software or web browser.
SNR	≥52dB
<b>Interface</b>	
Alarm	2 inputs, 2 outputs (max. 24 VDC, 1 A)
Audio	1 input (line in, 3.5 mm), 1 output (line out, 3.5 mm)
RS-485	1 RS-485 interface (half duplex, HIKVISION, Pelco-P, Pelco-D, self-adaptive)
On-board Storage	Built-in microSD/SDHC/SDXC slot, up to 256 GB
Communication Interface	1 RJ45 10M/100M/1000M Ethernet port
Power Output	12 VDC, max. 200 mA
Video Out	1Vp-p composite output (75 Ω/CVBS), only for adjustment
<b>Smart Feature-Set</b>	
Smart Event	Intrusion detection, up to 4 regions configurable Region entrance detection, up to 4 regions configurable Region exiting detection, up to 4 regions configurable Unattended baggage detection, up to 4 regions configurable Object removal detection, up to 4 regions configurable Scene change detection, audio exception detection, defocus detection
<b>Intelligent (Traditional Algorithm)</b>	
Basic Event	Motion detection, video tampering alarm, exception (network disconnected, IP address conflict, illegal login, HDD full, HDD error, video quality diagnosis)
Face Detection	No

<b>Intelligent (Deep Learning Algorithm)</b>	
Face Capture	Face detection performance: detects up to 30 faces at the same time. Face position: supports swing left and right from -60° to 60°, tilt up and down from -30° to 30°. Uploads face with background and closed-up face pictures.
Face Recognition	Detects, captures and selects best human face pictures; Recognizes face identity via face modeling, grading and comparing to those in face library; Up to 10 face libraries with up to 100000 faces each are configurable; Face library encryption: the camera chip has a hardware encryption module to protect data.
<b>General</b>	
Linkage Method	Trigger recording: memory card, network storage, pre-record and post-record Trigger captured pictures uploading: FTP, HTTP, NAS, Email, HTTPS Trigger notification: HTTP, ISAPI, alarm output, Email, HTTPS
Online Upgrade	Yes
Dual Backup	No
Firmware Version	5.5.86
Web Client Language	32 languages English, Russian, Estonian, Bulgarian, Hungarian, Greek, German, Italian, Czech, Slovak, French, Polish, Dutch, Portuguese, Spanish, Romanian, Danish, Swedish, Norwegian, Finnish, Croatian, Slovenian, Serbian, Turkish, Korean, Traditional Chinese, Thai, Vietnamese, Japanese, Latvian, Lithuanian, Portuguese (Brazil)
General Function	Password protection, privacy mask, anti-flicker, heart, mirror, pixel counter
Software Reset	Yes
Storage Conditions	-30 °C to 60 °C (-22 °F to 140 °F), humidity 95% or less (non-condensing)
Startup and Operating Conditions	-30 °C to 60 °C (-22 °F to 140 °F), humidity 95% or less (non-condensing)
Power Supply	12 VDC ±20%, reverse polarity protection; three-core terminal block; PoE (802.3at, type 2, class 4)
Power Consumption and Current	With extra load: 12 VDC, 1.42A, max. 17.0 W; PoE (802.3at, 42.5 V to 57 V), 0.45 A to 0.33 A, max. 19.2 W Without extra load: 12 VDC, 1.22 A, max. 14.6 W; PoE (802.3at, 42.5 V to 57 V), 0.40 A to 0.29 A, max. 16.8 W "with extra load" means that an extra device is connected to and powered by the camera.
Power Interface	Three-core terminal block
Material	Metal
Camera Dimension	Camera: Φ144 × 347 mm (Φ5.7" × 13.7")
Package Dimension	With package: 405×190×180 mm (15.9" × 7.5" × 7.1")
Camera Weight	Camera: approx. 1940 g (4.3 lb.)
With Package Weight	With Package: approx. 3050 g (6.7 lb.)
<b>Approval</b>	
Class	Class B
Protection	Ingress protection: IK10 (IEC 62262:2002), IP67(IEC 60529-2013)

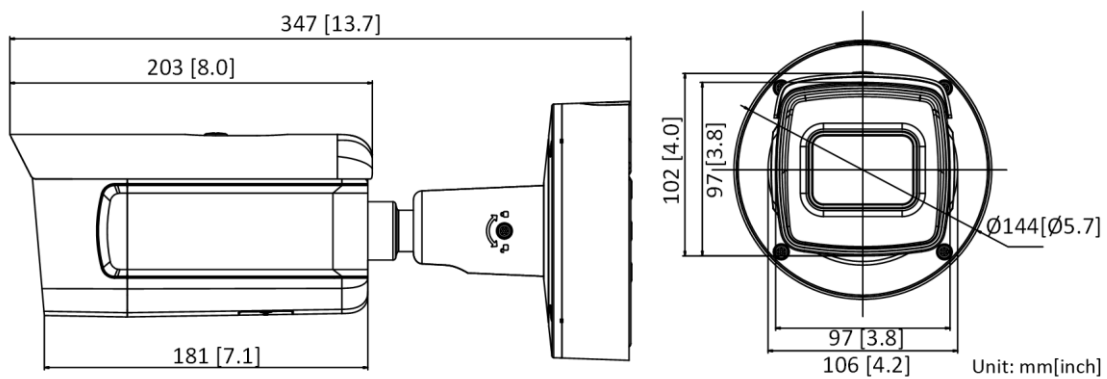
EMC	FCC ID (47 CFR Part 15, Subpart B); CE-EMC (EN 55032: 2015, EN 61000-3-2: 2014, EN 61000-3-3: 2013, EN 50130-4: 2011 +A1: 2014); RCM (AS/NZS CISPR 32: 2015); IC (ICES-003: Issue 6, 2016); KC (KN 32: 2015, KN 35: 2015)
Safety	UL (UL 60950-1); CB (IEC 60950-1:2005 + Am 1:2009 + Am 2:2013); CE-LVD (EN 60950-1:2005 + Am 1:2009 + Am 2:2013); BIS (IS 13252(Part 1):2010+A1:2013+A2:2015);
Environment	CE-RoHS (2011/65/EU); WEEE (2012/19/EU); Reach (Regulation (EC) No 1907/2006)2006

**▪ Available Model**

iDS-2CD8A46G0-IZHS (8 to 32mm)

\* -H: Heater supported.

**▪ Dimension**



## Accessory



**DS-1475ZJ-SUS**  
Vertical Pole Mount



**DS-1476ZJ-SUS**  
Corner Mount

Distributed by



## HIKVISION®

### Headquarters

No.555 Qianmo Road, Binjiang District,  
Hangzhou 310051, China  
T +86-571-8807-5998  
overseasbusiness@hikvision.com

**Hikvision USA**  
T +1-909-895-0400  
sales.usa@hikvision.com

**Hikvision Australia**  
T +61-2-8599-4233  
salesau@hikvision.com

**Hikvision India**  
T +91-22-28469900  
sales@pramahikvision.com

**Hikvision Canada**  
T +1-866-200-6690  
sales.canada@hikvision.com

**Hikvision Thailand**  
T +662-275-9949  
sales.thailand@hikvision.com

**Hikvision Europe**  
T +31-23-5542770  
sales.eu@hikvision.com

**Hikvision Italy**  
T +39-0438-6902  
info.it@hikvision.com

**Hikvision Brazil**  
T +55 11 3318-0050  
Latam.support@hikvision.com

**Hikvision Turkey**  
T +90 (216)521 7070- 7074  
sales.tr@hikvision.com

**Hikvision Malaysia**  
T +601-7652-2413  
sales.my@hikvision.com

**Hikvision UK & Ireland**  
T +01628-902140  
sales.uk@hikvision.com

**Hikvision South Africa**  
Tel: +27 (10) 0351172  
sale.africa@hikvision.com

**Hikvision France**  
T +33(0)1-85-330-450  
info.fr@hikvision.com

**Hikvision Kazakhstan**  
T +7-727-9730667  
nikia.panfilov@hikvision.ru

**Hikvision Vietnam**  
T +84-974270888  
sales.vt@hikvision.com

**Hikvision UAE**  
T +971-4-4432090  
salesme@hikvision.com

**Hikvision Singapore**  
T +65-6684-4718  
sg@hikvision.com

**Hikvision Spain**  
T +34-91-737-16-55  
info.es@hikvision.com

**Hikvision Tashkent**  
T +99-87-1238-9438  
uzb@hikvision.ru

**Hikvision Hong Kong**  
T +852-2151-1761  
info.hk@hikvision.com

**Hikvision Russia**  
T +7-495-669-67-99  
saleru@hikvision.com

**Hikvision Korea**  
T +82-(0)31-731-8817  
sales.korea@hikvision.com

**Hikvision Poland**  
T +48-22-460-01-50  
info.pl@hikvision.com

**Hikvision Indonesia**  
T +62-21-2933759  
Sales.Indonesia@hikvision.com

**Hikvision Colombia**  
sales.colombia@hikvision.com  
**05058620200106**