

DS-MDH005-B/32G

Smart Onboard Temp Screening Terminal



Introduction

Smart Onboard Temp Screening Terminal DS-MDH005-B/32G supports non-contact detection of skin temperature, mask detection, along with audio alarms to make the travel safe and convenient. It is specifically designed for onboard scenarios, applicable for various kinds of buses, coaches, etc.

Key Feature

- 3 mm thermal imaging prime lens
- Min. temperature detection distance: 0.3 m
- 120 × 160 resolution
- Embedded high sensitivity detector
- Temperature detection range: 30 °C to 45 °C (86 °F to 113 °F)
- Temperature detection accuracy: ± 0.1 °C (± 32.2 °F)
- Temperature detection deviation: ± 0.5 °C (± 32.9 °F)
- Scanning recognition
- Thermal imaging technology

Available Model

DS-MDH005-B/32G

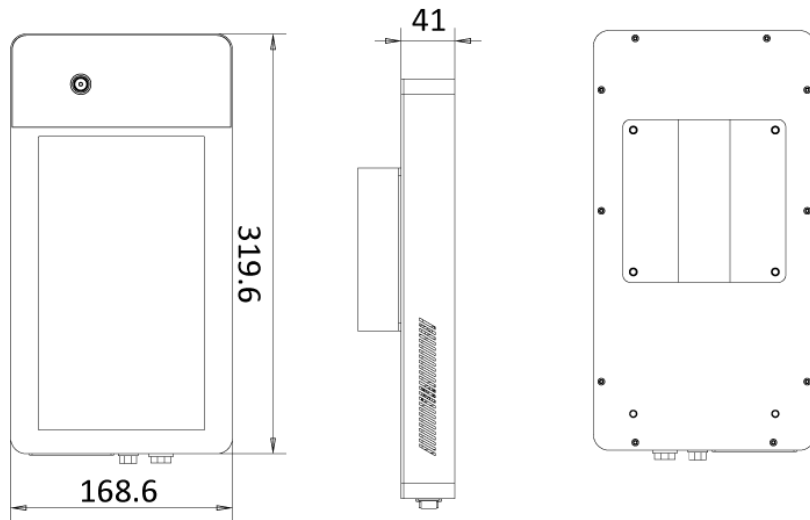


Specification

IR Imaging	
DS-MDH005-B/32G	
Detector	VOx microbolometer
Max. Image Resolution	120 × 160
Response Band	8 to 14 μm
FOV	Horizontal: 37.2° Vertical: 50°
Lens	3 mm, F1.1
Temperature Detection Range	30 °C to 45 °C (86 °F to 113 °F)
Temperature Detection Accuracy	± 0.1 °C(± 32.2 °F)
Temperature Detection Deviation	± 0.5 °C(± 32.9 °F)
Temperature Detection Distance	0.3 to 2 m
Visible Light Imaging	
Sensor	1/2.7" Progressive Scan CMOS
Max. Image Resolution	1920 × 1080
Screen	
Size	10.1"
Resolution	1024 × 600
Max. Brightness	500 cd/m ²
Touch Screen	Supported
Scanning	
Sensor	CMOS
Resolution	640 × 480
Reading Code System	2D: PDF417, QR Code, Micro QR, DataMatrix, Chinese Sensible Code, GM Code, MicroPDF417 Code, CODEONE 1D: EAN-8, EAN-13, UPC-E, UPC-A, Code128, UCC/EAN128, I2Of5, ITF14, ITF6, Matrix 25, CodaBar, Code39, Code93, ISSN, ISBN, Industrial25, Standard25, Plessey, Code11, MSI Plessey, UCC/EAN Composite, GS1 Databar, China Post 25, Code 49, Code 16K, etc.
Typical Reading DOF	EAN-13 (13 mil) : 25 mm to 110 mm PDF417 (6.7 mil) : 35 mm to 45 mm QR Code (15 mil) : 0 mm to 90 mm Data Matrix (10 mil) : 35 mm to 50 mm Mobile payment code : 38 mm to 135 mm
FOV	Horizontal: 68° Vertical: 51° Diagonal:84.8°

Bar Code Reading Sensitivity	Tilt: $\pm 40^\circ$ Deflecting: $\pm 45^\circ$ Rotating: 360°
General	
Power Supply	12 to 32 VDC
Max. Power Consumption	14 W
Working Temperature	-20 °C to 60 °C (-4 °F to 140 °F) For temperature measurement: 10 °C to 35 °C(50 °F to 95 °F)
Working Humidity	10 to 90% (no condensation)
Dimension	321 × 169 × 41 mm (12.6" × 6.6" × 1.6")
Weight	2 kg (4.4 lb)
Network	10/100 M Ethernet interface
Storage	1 × TF card (Standard, 32 GB) 1 × SD card (Reserved, up to 256 GB)
Audio Output	Loudspeaker

Dimension



Unit: mm

Distributed by



HIKVISION®

Headquarters

No.555 Qianmo Road, Binjiang District,
Hangzhou 310051, China
T +86-571-8807-5998
overseasbusiness@hikvision.com

Hikvision USA
T +1-909-895-0400
sales.usa@hikvision.com

Hikvision Australia
T +61-2-8599-4233
salesau@hikvision.com

Hikvision India
T +91-22-28469900
sales@pramahikvision.com

Hikvision Canada
T +1-866-200-6690
sales.canada@hikvision.com

Hikvision Thailand
T +662-275-9949
sales.thailand@hikvision.com

Hikvision Europe
T +31-23-5542770
sales.eu@hikvision.com

Hikvision Italy
T +39-0438-6902
info.it@hikvision.com

Hikvision Brazil
T +55 11 3318-0050
Latam.support@hikvision.com

Hikvision Turkey
T +90 (216)521 7070- 7074
sales.tr@hikvision.com

Hikvision Malaysia
T +601-7652-2413
sales.my@hikvision.com

Hikvision UK & Ireland
T +01628-902140
sales.uk@hikvision.com

Hikvision South Africa
Tel: +27 (10) 0351172
sale.africa@hikvision.com

Hikvision France
T +33(0)1-85-330-450
info.fr@hikvision.com

Hikvision Kazakhstan
T +7-727-9730667
nikia.panfilov@hikvision.ru

Hikvision Vietnam
T +84-974270888
sales.vt@hikvision.com

Hikvision UAE
T +971-4-4432090
salesme@hikvision.com

Hikvision Singapore
T +65-6684-4718
sg@hikvision.com

Hikvision Spain
T +34-91-737-16-55
info.es@hikvision.com

Hikvision Tashkent
T +99-87-1238-9438
uzb@hikvision.ru

Hikvision Hong Kong
T +852-2151-1761
info.hk@hikvision.com

Hikvision Russia
T +7-495-669-67-99
sateru@hikvision.com

Hikvision Korea
T +82-(0)31-731-8817
sales.korea@hikvision.com

Hikvision Poland
T +48-22-460-01-50
info.pl@hikvision.com

Hikvision Indonesia
T +62-21-2933759
Sales.Indonesia@hikvision.com

Hikvision Colombia
sales.colombia@hikvision.com