

DS-MI9605-GA Mobile Enforcement Video Recorder



Introduction

Mobile enforcement system adopts multiple key technology. The whole system is made up by four parts: DS-MI9605-GA mobile enforcement video recorder, positioning system lite, manual controller, and LCD. Mobile enforcement system provides a complete solution for the traffic law enforcement, security protection, emergency commanding, and other surveillance projects. It is widely applied to the police vans, special vehicles, emergency scenes, etc.,

Key Feature

- 1-ch 1080p network speed dome and 4-ch network camera.
- H.265 video compression for main stream and sub-stream.
- 1-ch VGA video output with resolution of 1280 × 800.
- Pluggable dummy HDD supporting two 2.5-inch HDDs/SSDs.
- Pluggable 3G/4G module and Wi-Fi module providing flexible data transmission solutions.
- Dummy HDD adopts HDD/SSD vibration damping technology.
- IR and white light illumination help to capture high quality images in dim light environment.
- Load name overlay feature records the geographical information of video evidence.
- Operate menu and control positioning system lite via single and multi-touch features.
- Power-off protection prevents key data from loss.
- Dummy HDD provides smart temperature-control module and USB data export interface.
- Built-in GPS (Global Positioning System) module precisely positioning the vehicle via the satellite and recording the location information in the video stream.
- Device adopts the aviation plug design to ensure signal stability.
- Wide-range power input.
- Aluminum die-cast chassis with no-fan design well adaptable to working environment.

Available Model

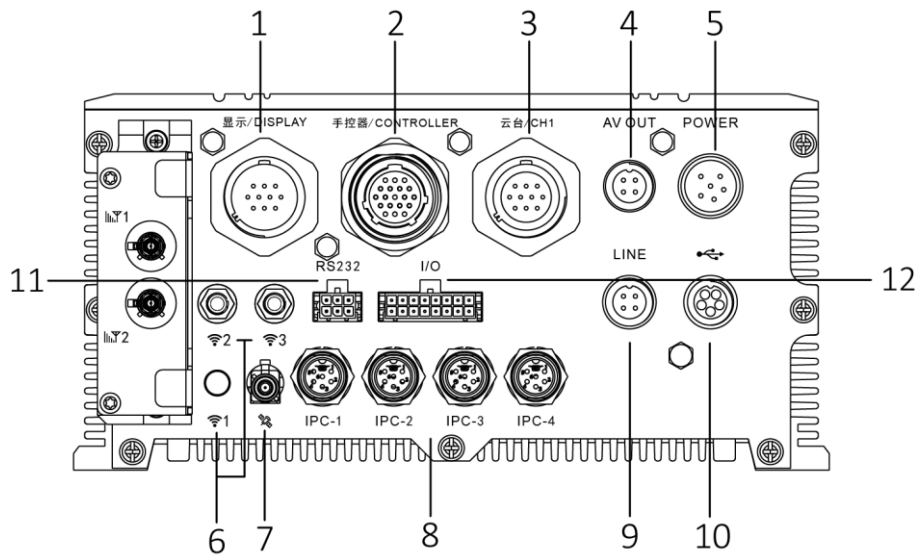
DS-MI9605-GA,
DS-MI9605-GA/GW, (supports 3G dialing)
DS-MI9605-GA/GLF, (supports 4G dialing)



Specifications

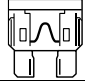
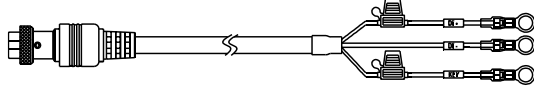
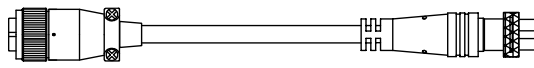
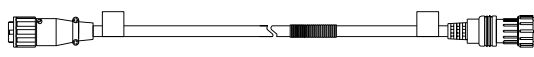
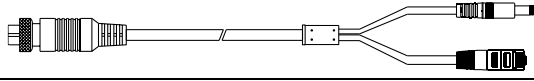

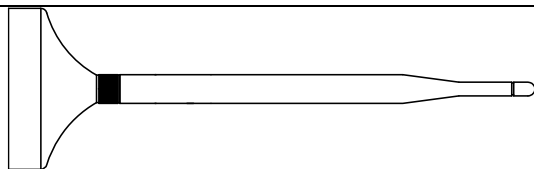
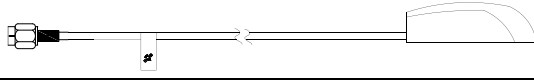
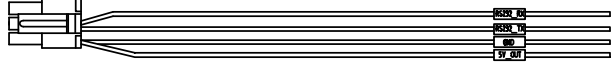
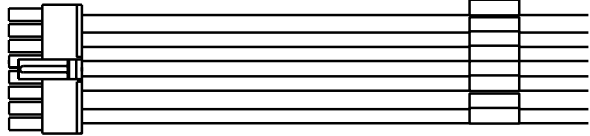
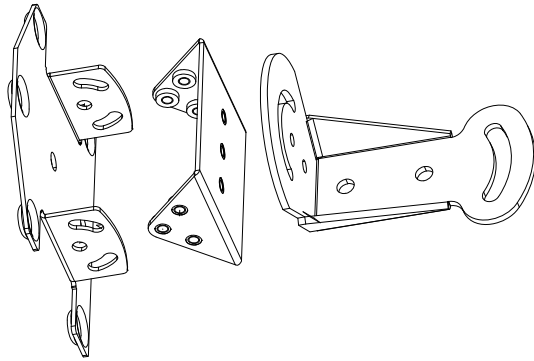
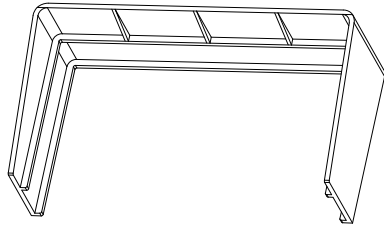

Model		DS-MI9605-GA
Video/Audio Input	IP Camera	1 positioning system lite, 4 network cameras (1080p/960p/720p/D1)
	Two-way Audio	1 (2.0Vp-p, 1K Ω)
Video/Audio Output	Video Output	3: 1 CVBS output (PAL: 720 \times 576, NTSC: 704 \times 576), 1 VGA output (1280 \times 800), 1 HDMI output
	Audio Output	2-ch. Aviation plug (linear, 600 Ω)
Encoding/Decoding Parameters	Video Compression	H.264, H.265
	Frame Rate	PAL: 1 to 25fps; NTSC: 1 to 30fps
	Audio Compression	G.711, G.722
	Stream Type	Video, video & audio
	Audio Bitrate	16 Kbps
	Dual Stream	Supported
Storage	HDD/SSD	2 \times 2.5 inch HDD/SSD, up to 2 TB for each HDD/SSD
		A dummy HDD with USB 3.0 interface
Wireless Network	3G/4G Dialing	1 \times 3G/4G card slot, 1 \times Rosenberger antenna
	Wi-Fi	1 \times 2.4 G Wi-Fi SMA antenna
Positioning	GNSS (Global Navigation Satellite System)	GPS (Global Positioning System), 1 \times Rosenberger antenna
External Interface	Network Interface	<ul style="list-style-type: none"> ● Front panel: 1 \times 10M/100M/1000M RJ45 self-adaptive Ethernet interface ● Rear panel: 4 \times 6-pin aviation plug
	Serial Port	1 \times RS-232
	USB Interface	<ul style="list-style-type: none"> ● Front panel: 2 \times Type-A USB 3.0 ● Rear panel: 1 \times USB 2.0 of 5-pin aviation plug
	Alarm Input	8
	Alarm Output	2
	eSATA Interface	1 (reserved)
General	Operating Method	Mouse, IR remote control, Web control
	Power Supply	9 to 32 VDC
	Consumption	<ul style="list-style-type: none"> ● Standby: \leq 0.5 W ● Full load: \leq 80 W
	Working Temperature	<ul style="list-style-type: none"> ● Device that provides dummy HDD with heating function: -30 $^{\circ}$C to +60 $^{\circ}$C (-22 $^{\circ}$F to +140$^{\circ}$F) ● Other devices: -10 $^{\circ}$C to +60 $^{\circ}$C (14 $^{\circ}$F to 140$^{\circ}$F)
	Working Humidity	10% to 90%
	Dimensions (W \times D \times H)	202 \times 252 \times 87 mm (8.0 \times 9.9 \times 3.4 inch)
	Weight (Without Storage Media)	\leq 4.5 Kg (9.9 lb)

Physical Interfaces



No.	Name	No.	Name
1	LCD Interface	7	GPS antenna interface
2	Manual controller interface	8	IP camera input of channel 1 to 4
3	Positioning system lite interface	9	Two-way audio interface
4	Analog video output	10	USB 2.0 of 5-pin aviation plug
5	Power supply of 6-pin aviation plug	11	RS-232 interface
6	Wi-Fi antenna interfaces	12	I/O Interface, including: <ul style="list-style-type: none"> Alarm input, triggered by high/low level vehicle information input Relay signal alarm output

Packing List

Description	Quantity	Picture	Note
Fuse	2		
Power cord	1		
LCD video cable	1		
PTZ cable	1		
6-pin aviation plug-to-RJ45 cable	4		
3G/4G antenna	1		For GW/GLF model.
Wi-Fi antenna	1		
GPS antenna	1		For model with GPS module.
Serial port line	1		
Alarm line	1		
LCD bracket	1		
Rubber shield	1		
Screwdriver	1		For GW and GLF model.

iDS-TCC215-I/30/T(B) Network HD IR Positioning System Lite



Features and Functions

- All-weather positioning system lite. Wiper and housing made from high-strength aluminum.
- IR illumination helps to capture high quality images in dim light environment.
- Up to 100 m IR distance.
- Vibration damper installed.
- 0.2 MP. 1/2.8" progressive scan CMOS.
- Resolution is up to 1080p.
- 30X optical zoom. Focal length: 4.5 to 135 mm.
- Minimum illumination: Color, 0.05Lux @ F1.6.
- 3D DNR.
- ICR day & night switch.

Typical Application

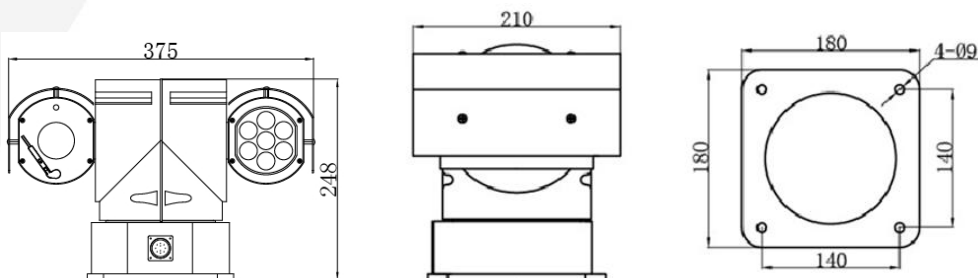
Police vehicles, mobile police office

Available Model

iDS-TCC215-I/30/T(B)

Dimensions

Unit: mm



Specifications

Model	iDS-TCC215-I/30/T(B)
Parameters	Network HD IR Positioning System Lite
Camera Module	
Image sensor	1/2.8" Progressive Scan CMOS
Resolution	50 Hz:25fps (1920 x 1080/1280 x 720/1280 x 960) 60 Hz:30fps (1920 x 1080/1280 x 720/1280 x 960)
Min. illuminate	Color:0.05Lux @ (F1.6, AGC ON)
S/N ratio	> 52dB
Focal length	4.5-135mm, 30× optical
Aperture range	F1.6-F4.4
Horizontal field of view	65.1-2.34° (wide-tele)
Working Distance	10mm to 1500mm (wide-tele)
Zoom speed	Approx. 3 s (optical lens, wide-tele)
Day & night	ICR
Focus mode	Auto/Semi-automatic/Manual
Exposure mode	Auto/Iris Priority/Shutter priority/Manual
Day/night mode	Auto/Color/B/W
Digital shutter	1/1 s to 1/30,000 s
White balance	Auto 1/Auto 2/Manual/Indoor/Outdoor/Fluorescent Lamp/Sodium Lamp
DNR	3D DNR
WDR	On/off
Image adjusting	Brightness, contrast, sharpness, hue
BLC	On/off
Digital zoom	12
Mirror image	Supported
Video compression	H.264 main Profile/H.265
Bitrate	32kbps-12Mbps
Network protocol	TCP/IP, HTTP, DHCP, DNS, DDNS, RTP, RTSP, PPPoE, SMTP, NTP, UPnP, SNMP, FTP, 802.1x, QoS, HTTPS, IPv6 (SIP, SRTP optional), GB28181, EHOME
Network camera protocol	ONVIF, PSIA, CGI, ISAPI
Dual stream	Supported
Security strategy	Password protection, multi-user access control
Pan and Title	
Preset speed (pan)	100°/s
Preset speed (tilt)	80°/s
Pan speed	0° to 60°/s
Tilt speed	0° to 40°/s
Movement Range (pan)	360° endless
Movement Range (tilt)	-90° to +90°
Pattern	6
Preset	256
RS-485	PELCO_D
General	
Communication interface	RJ45 network interface. Supporting remote upgrade
Power supply	12 VDC ± 10%
Working temperature	-35 °C to +55 °C (-31 °F to 131 °F)
Working humidity	≤ 90%
Ingress Protection	IP66
Consumption	< 50W
Shock resistance	≥ 4G
Weight	6 Kg (13.2 lb)

DS-1010KI Manual controller



Features and Functions

- Control enforcement system.
- Control positioning system lite.
- Power lock.
- Joystick design.
- Buttons with backlight.
- Vibration damping design.

Typical Application

Mobile environment

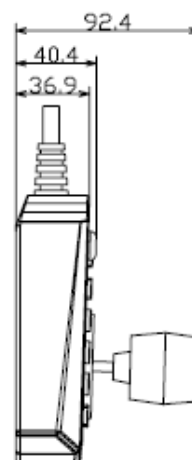
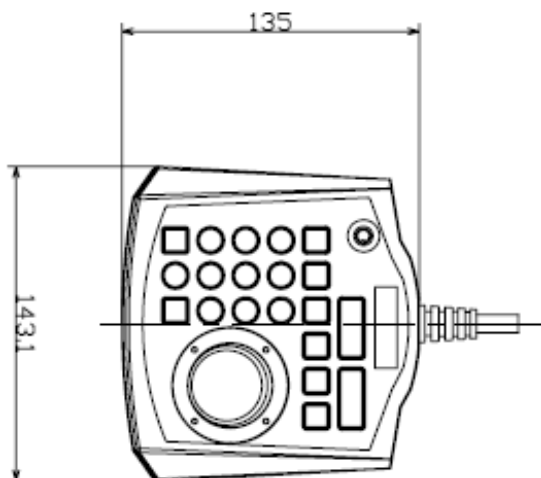
Available Model

DS-1010KI

Dimensions

Specifications

Model	DS-MP1013 series manual controller
Dimension(W×D×H)	143 × 135 × 40 mm (5.6 × 5.3 × 1.6")
Weight	≤ 0.5 Kg (≤ 1.1 lb)
Consumption	≤ 2W
Power supply	12 VDC
Temperature	-20 °C to +60 °C (-4 °F to +140 °F)
Humidity	10% to 95%



DS-MP1308 7-inch HD LCD

Features and Functions

- 7-inch LCD. LED backlight.
- High definition.
- Touchscreen.
- Display enforcement system image and GUI.
- Aviation plug design.
- TFT material.



Typical Application

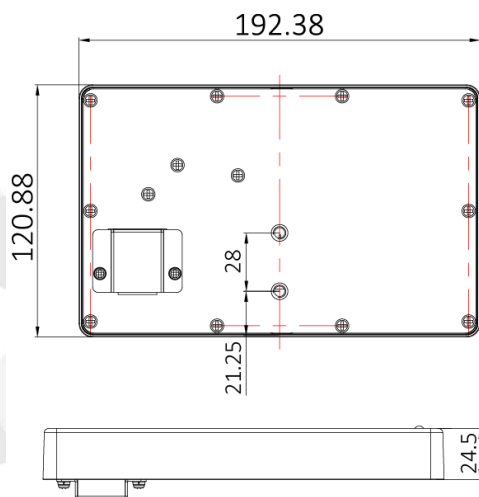
Mobile environment

Available Model

DS-MP1308

Dimensions

Unit: mm



Specifications

Model	DS-MP1308 7-inch HD LCD
Resolution	1024 × 600
Material	TFT
Backlight mode	LED backlight
Dimensions	7-inch
Consumption	≤ 5W
Weight	≤ 0.6 Kg (1.3 lb)
Working voltage	12 V
Working temperature	-20 °C to +60 °C (-4 °F to +140 °F)
Working humidity	10% to 95%
Touchscreen	Supported. Multi-touch

