

DS-2DY9236I8X-A (T3) 2 MP 36 × Laser Network Positioning System

DarkFighter



Hikvision DS-2DY9236I8X-A 2 MP 36 × Laser Network Positioning System adopts 1/1.8" progressive scan CMOS chip. With the 36 × optical zoom lens, the camera offers more details over expansive areas.

This series of cameras can be widely used for wide ranges of high-definition, such as the rivers, forests, roads, railways, airports, ports, squares, parks, scenic spots, stations and large venues, etc.

Key Features

- 1/1.8" progressive scan CMOS
- Up to 1920 × 1080 resolution
- Min. illumination:
Color: 0.002 Lux @(F1.3, AGC ON)
B/W: 0.0002 Lux @(F1.3, AGC ON)
0 Lux with Laser
- Rain-sensing auto wiper
- 36 × optical zoom, 16 × digital zoom
- 140 dB WDR, 3D DNR, HLC, BLC, Smart IR
- 24 VAC
- Support H.265+/H.265 video compression
- Support up to 800 m laser distance
- Support vandal-proof alarm
- Support face capture to detect, track, capture, grade, and select face in motion
- Support road traffic to detect vehicles, including license plate number, vehicle model, and vehicle color



Specification

Camera Module	
Image Sensor	1/1.8" progressive scan CMOS
Min. Illumination	Color: 0.002 Lux @ (F1.3, AGC ON) B/W: 0.0002 Lux @ (F1.3, AGC ON) 0 Lux with Laser
Shutter Speed	1/1 s to 1/30,000 s
Focus	Semi-Auto, Manual, Auto
Day & Night	ICR
BLC	Yes
WDR	140 dB WDR
HLC	Yes
3D DNR	Yes
EIS	Yes. Built-in gyroscope to improve EIS performance.
Regional Exposure	Yes
Regional Focus	Yes
White Balance	Auto, ATW, Sodium Lamp, Fluorescent Lamp, Indoor, Outdoor
Digital Zoom	16 ×
Optical Zoom	36 ×
Privacy Mask	Up to 24 masks, polygon region, mosaic mask, mask color configurable
General Function	Mirror, Password Protection, Watermark, IP Address Filter
Lens	
Focal Length	6.0 mm to 216 mm, 36 × Optical
Zoom Speed	Approx. 4.5 s
FOV	Horizontal field of view: 56.6° to 2.0° (wide-tele), Vertical field of view: 33.7° to 1.2° (wide-tele), Diagonal field of view: 63.4° to 2.3° (wide-tele)
Aperture	F1.3
PTZ	
Movement Range (Pan)	360°
Movement Range (Tilt)	From -90° to 40° (auto-flip)
Pan Speed	Configurable, from 0.1°/s to 100°/s, Preset Speed: 100°/s
Tilt Speed	Configurable, from 0.1°/s to 50°/s, Preset Speed: 100°/s
Proportional Zoom	Yes
Presets	300
Patrol Scan	8 patrols
Pattern Scan	4 pattern scans
Power-off Memory	Yes
Park Action	Preset, Pattern Scan, Patrol Scan, Auto Scan, Tilt Scan, Random Scan, Frame Scan, Panorama Scan
3D Positioning	Yes
PTZ Status Display	Yes
Preset Freezing	Yes
Scheduled Task	Preset, Pattern Scan, Patrol Scan, Auto Scan, Tilt Scan, Random Scan, Frame Scan, Panorama Scan, Dome Reboot, Dome Adjust, Aux Output
Vandal-proof Alarm	Yes
Video	
Max. Resolution	1920 × 1080
Main Stream	50Hz: 25 fps (1920 × 1080, 1280 × 960, 1280 × 720) 50 fps (1920 × 1080, 1280 × 960, 1280 × 720) 60Hz: 30 fps (1920 × 1080, 1280 × 960, 1280 × 720) 60 fps (1920 × 1080, 1280 × 960, 1280 × 720)

Sub-Stream	50Hz: 25fps (704 × 576, 640 × 480, 352 × 288) 60Hz: 30fps (704 × 480, 640 × 480, 352 × 240)
Third Stream	50Hz: 25fps (1920 × 1080, 1280 × 960, 1280 × 720, 704 × 576, 640 × 480, 352 × 288) 60Hz: 30fps (1920 × 1080, 1280 × 960, 1280 × 720, 704 × 480, 640 × 480, 352 × 240)
Video Compression	H.265, H.264, MJPEG
H.264 Type	baseline profile, main profile, high profile
H.265 Type	main profile
H.264+	Yes
H.265+	Yes
SVC	Yes
ROI	Yes
Audio	
Audio Compression	G.711alaw, G.711ulaw, G.722.1, G.726, MP2L2, PCM
Smart Features	
Basic Event	Motion Detection, Video Tampering Alarm, Alarm Input, Alarm Output, Exception
Smart Event	Unattended Baggage Detection, Object Removal Detection, Intrusion Detection, Line Crossing Detection, Region Entrance Detection, Region Exiting Detection, Audio Exception Detection
Face Capture	Support detecting up to 30 faces at the same time. Support detecting, tracking, capturing, grading, selecting of face in motion, and output the best face picture of the face.
Road Traffic	Support vehicle detection (license plate number, vehicle model, and vehicle color recognition)
Smart Tracking	Manual Tracking, Event Tracking, Auto-Tracking
Smart Record	ANR, Dual-VCA
Alarm Linkage	Alarm actions, such as Preset, Patrol Scan, Pattern Scan, Memory Card Video Record, Trigger Recording, Notify Surveillance Center, Upload to FTP/Memory Card/NAS, Send Email, etc.
Network	
Protocols	IPv4/IPv6, HTTP, HTTPS, 802.1x, Qos, FTP, SMTP, UPnP, SNMP, DNS, DDNS, NTP, RTSP, RTCP, RTP, TCP/IP, UDP, IGMP, ICMP, DHCP, PPPoE, Bonjour
API	ISAPI ,Hikvision SDK,ONVIF (Profile S, Profile G, Profile T)
Simultaneous Live View	Up to 20 channels
User/Host	Up to 32 users. 3 levels: Administrator, Operator and User
Security Measures	User authentication (ID and PW), Host authentication (MAC address); HTTPS encryption; IEEE 802.1x port-based network access control; IP address filtering
Client	iVMS-4200, iVMS-4500, iVMS-5200, Hik-Connect
Web Browser	IE 8 to 11, Chrome 31.0+, Firefox 30.0+, Safari 11+
Interface	
Communication Interface	1 RJ45 10 M/100 M Ethernet Interface
On-board Storage	Built-in memory card slot, support Micro SD/Micro SDHC/Micro SDXC, up to 256 GB; NAS (NFS, SMB/ CIFS), ANR
Alarm Input	7 alarm inputs
Alarm Output	2 alarm outputs
Audio Input	1 audio input, 2.0 to 2.4 Vp-p, 1k Ohm ± 10%
Audio Output	1 audio output, line level, impedance: 600 Ω
Video Output	1.0 V[p-p]/75 Ω, PAL, NTSC, BNC connector
RS-485	Half duplex, HIKVISION, Pelco-P, Pelco-D, self-adaptive
Supplement Light	
Laser Distance	Up to 800 m laser distance
General	
Power	24 VAC. Max. 120 W, including max. 25 W for laser and max. 13W for heater
Operating Conditions	Temperature: Outdoor: -40°C to 70°C (-40°F to 158°F); Humidity: ≤ 95%

Wiper	Yes. Rain-sensing auto control
Material	Aluminum alloy ADC12
Dimensions	256 × 334 × 505 mm (10.08" × 13.15" × 19.88")
Weight	Approx. 17 kg (37.48 lb)
Web Client Language	32 languages: English, Russian, Estonian, Bulgarian, Hungarian, Greek, German, Italian, Czech, Slovak, French, Polish, Dutch, Portuguese, Spanish, Romanian, Danish, Swedish, Norwegian, Finnish, Croatian, Slovenian, Serbian, Turkish, Korean, Traditional Chinese, Thai, Vietnamese, Japanese, Latvian, Lithuanian, Portuguese (Brazil)
Approval	
Protection	IP66 Standard; 6000V Lightning Protection, Surge Protection and Voltage Transient Protection

DORI

The DORI (detect, observe, recognize, identify) distance gives the general idea of the camera ability to distinguish persons or objects within its field of view.

It is calculated based on the camera sensor specification and the criteria given by EN 62676-4: 2015.

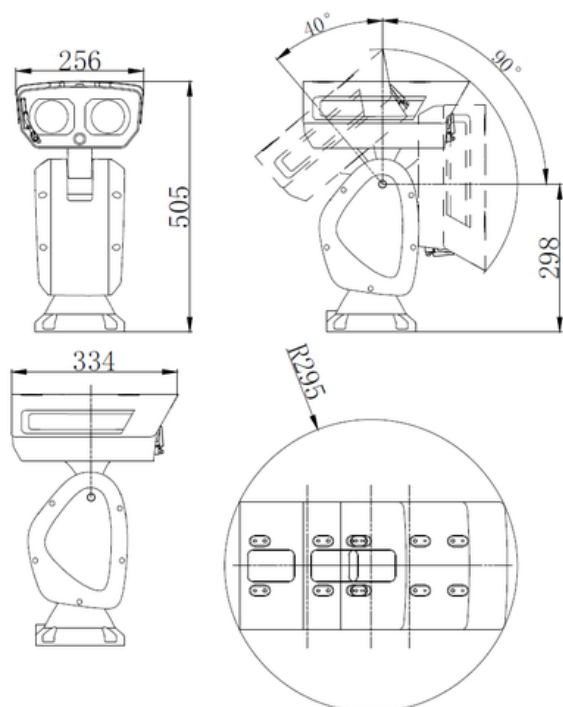
DORI	Detect	Observe	Recognize	Identify
Definition	25 px/m	63 px/m	125 px/m	250 px/m
Distance (Tele)	2979.3 m (9774.6 ft)	1182.3 m (3878.9 ft)	595.9 m (1955.1 ft)	297.9 m (977.4 ft)

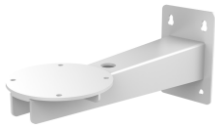
Available Model

DS-2DY9236I8X-A (T3), 24 VAC

**You are recommended to purchase memory card together with the product if needed. After ordering, the memory card will be installed to product during manufacturing.*

Dimensions



**Accessory
Optional****DS-1693ZJ
Wall Mount****MKAC-96-248000V (UK)
MKAC-96-248000V (EU)
MKAC-96-248000U (US)
Power Adapter**

Distributed by

**HIKVISION®****Headquarters**No.555 Qianmo Road, Binjiang District,
Hangzhou 310051, China
T +86-571-8807-5998
overseasbusiness@hikvision.com**Hikvision USA**
T +1-909-895-0400
sales.usa@hikvision.com**Hikvision Australia**
T +61-2-8599-4233
salesau@hikvision.com**Hikvision India**
T +91-22-28469900
sales@pramahikvision.com**Hikvision Canada**
T +1-866-200-6690
sales.canada@hikvision.com**Hikvision Thailand**
T +662-275-9949
sales.thailand@hikvision.com**Hikvision Europe**
T +31-23-5542770
sales.eu@hikvision.com**Hikvision Italy**
T +39-0438-6902
info.it@hikvision.com**Hikvision Brazil**
T +55 11 3318-0050
Latam.support@hikvision.com**Hikvision Turkey**
T +90 (216)521 7070- 7074
sales.tr@hikvision.com**Hikvision Malaysia**
T +601-7652-2413
sales.my@hikvision.com**Hikvision UK & Ireland**
T +01628-902140
sales.uk@hikvision.com**Hikvision South Africa**
Tel: +27 (10) 0351172
sale.africa@hikvision.com**Hikvision France**
T +33(0)1-85-330-450
info.fr@hikvision.com**Hikvision Kazakhstan**
T +7-727-9730667
nikia.panfilov@hikvision.ru**Hikvision Vietnam**
T +84-974270888
sales.vt@hikvision.com**Hikvision UAE**
T +971-4-4432090
salesme@hikvision.com**Hikvision Singapore**
T +65-6684-4718
sg@hikvision.com**Hikvision Spain**
T +34-91-737-16-55
info.es@hikvision.com**Hikvision Tashkent**
T +99-87-1238-9438
uzb@hikvision.ru**Hikvision Hong Kong**
T +852-2151-1761
info.hk@hikvision.com**Hikvision Russia**
T +7-495-669-67-99
saleru@hikvision.com**Hikvision Korea**
T +82-(0)31-731-8817
sales.korea@hikvision.com**Hikvision Poland**
T +48-22-460-01-50
info.pl@hikvision.com**Hikvision Indonesia**
T +62-21-2933759
Sales.Indonesia@hikvision.com**Hikvision Colombia**
sales.colombia@hikvision.com