

## DS-2DF9C245IHS-DLW(T2)

### 2 MP 45 × Network IR PTZ Camera

DarkFighterX



Hikvision DS-2DF9C245IHS-DLW (T2) 2 MP 45 × Network IR PTZ Camera belongs to the DarkFighterX camera family. With the patented dual-sensor design, it is able to process color and brightness independently and outputs one FULL-COLOR image.

This series of cameras can be widely used for wide ranges of high-definition, such as the river, forest, road, railway, airport, port, square, park, scenic spot, station and large venue, etc.

#### Key Feature

- Dual-sensor, 1/1.8" progressive scan CMOS
- Full-color image output
- Up to 1920 × 1080 resolution
- Min. illumination:
  - Color: 0.0005 Lux @ (F1.6, AGC ON)
  - B/W: 0.0001 Lux @ (F1.6, AGC ON)
  - 0 Lux with IR
- 45 × optical zoom, 16 × digital zoom
- 140 dB WDR, 3D DNR, HLC, BLC, EIS, Optical Defog
- Support H.265+/H.265 video compression
- Support rapid focus
- Deep-learning-based target classification algorithm for auto-tracking 2.0 and perimeter protection
- Up to 500 m IR distance. Smart IR
- Rain-sensing auto wiper



## ▪ Specification

Camera Module	
Image Sensor	1/1.8" progressive scan CMOS, dual-sensor structure
Min. Illumination	color: 0.0005 Lux @ (F1.6, AGC ON), B/W: 0.0001 Lux @ (F1.6, AGC ON), 0 Lux with IR
Shutter Speed	1/1 to 1/30,000s
Slow Shutter	yes
Focus	semi-auto, manual, auto
Day & Night	electronic
Day/Night Switch	day, night, auto, scheduled-switch
BLC	yes
WDR	140 dB WDR
HLC	yes
3D DNR	yes
Defog	yes
EIS	yes
Regional Exposure	yes
Regional Focus	yes
Image Settings	saturation, brightness, contrast, sharpness
Image Parameters Switch	yes
White Balance	auto, ATW, sodium lamp, fluorescent lamp, indoor, outdoor, MWB
Digital Zoom	16 ×
Optical Zoom	45 ×
Privacy Mask	up to 24 masks, polygon region, mosaic mask, mask color configurable
Picture Overlay	yes
SNR	≥55 dB
General Function	mirror, password protection, watermark, IP address filter
Lens	
Focal Length	5.9 mm to 265 mm
Zoom Speed	approx. 4.8 s
FOV	Horizontal field of view: 58.9° to 1.7°(wide-tele) Vertical field of view: 35.3° to 0.9°(wide-tele) Diagonal field of view: 65.9° to 1.9° (wide-tele)
Min. Working Distance	100 mm to 1500 mm (wide-tele)
Aperture	F1.6
Aperture Range	F1.6 to F4.4
PTZ	
Movement Range (Pan)	360°
Movement Range (Tilt)	-25° to 90° (auto flip)
Pan Speed	pan speed: configurable from 0.1° to 210°/s; preset speed: 280°/s
Tilt Speed	tilt speed: configurable from 0.1° to 150°/s; preset speed 250°/s
Proportional Zoom	yes
Presets	300
Patrol Scan	8 patrols, up to 32 presets for each patrol
Pattern Scan	4 pattern scans, record time over 10 minutes for each scan
Power-off Memory	yes
Park Action	preset, pattern scan, patrol scan, auto scan, tilt scan, random scan, frame scan, panorama scan
3D Positioning	yes
PTZ Status Display	yes
Preset Freezing	yes
Scheduled Task	preset, pattern scan, patrol scan, auto scan, tilt scan, random scan, frame scan, panorama scan, dome reboot, dome adjust, aux output
Vandal-proof alarm	yes
Video	
Max. Resolution	1920 × 1080
Stream Type	main stream, sub-stream, third stream
Main Stream	50Hz: 25fps (1920 × 1080, 1280 × 960, 1280 × 720) 60Hz: 30fps (1920 × 1080, 1280 × 960, 1280 × 720)
Sub-Stream	50Hz: 25fps (704 × 576, 640 × 480, 352 × 288) 60Hz: 30fps (704 × 480, 640 × 480, 352 × 240)

Third Stream	50Hz: 25fps (1920 × 1080, 1280 × 960, 1280 × 720, 704 × 576, 640 × 480, 352 × 288) 60Hz: 30fps (1920 × 1080, 1280 × 960, 1280 × 720, 704 × 480, 640 × 480, 352 × 240)
Video Compression	H.265, H.264, MJPEG
Video Bit Rate	32 Kbps to 16384 Kbps
H.264 Type	baseline profile, main profile, high profile
H.265 Type	main profile
H.264+	yes
H.265+	yes
SVC	yes
ROI	yes
<b>Audio</b>	
Audio Compression	G.711alaw, G.711ulaw, G.722.1, G.726, MP2L2, PCM
Audio Bit rate	64 Kbps (G.711)/16 Kbps (G.722.1)/16 Kbps (G.726)/32 Kbps to 192 Kbps(MP2L2)
<b>Smart Features</b>	
Face Capture	Support detecting up to 30 faces at the same time. Support detecting, tracking, capturing, grading, selecting of face in motion, and output the best face picture of the face
Road Traffic	Support vehicle detection (license plate number, vehicle model, and vehicle color recognition)
Basic Event	motion detection, video tampering alarm, alarm input and output, exception
Smart Event	unattended baggage detection, object removal detection, intrusion detection, line crossing detection, region entrance detection, region exiting detection, audio exception detection
Smart Tracking	manual tracking, event tracking, auto-tracking
Smart Record	ANR, Dual-VCA
Alarm Linkage	preset, patrol scan, pattern scan, memory card video recording, alarm output, sending email, notify surveillance center, upload to FTP, smart tracking, NAS video recording
Smart Encoding	H.265+, H.264+, ROI, SVC
<b>Network</b>	
Protocols	IPv4/IPv6, HTTP, HTTPS, 802.1x, Qos, FTP, SMTP, UPnP, SNMP, DNS, DDNS, NTP, RTSP, RTCP, RTP, TCP/IP, UDP, IGMP, ICMP, DHCP, PPPoE, Bonjour
API	ISAPI, Hikvision SDK, ONVIF (Profile S, Profile G, Profile T)
Simultaneous Live View	20
User/Host	32
Security Measures	Authenticated username and password, MAC address binding, HTTPS encryption, 802.1X authenticated access, IP address filter
Web Browser	IE 8 to 11, Chrome 57+, Firefox 52+, Safari 12+
<b>Interface</b>	
Communication Interface	1 RJ45 10 M/100 M Ethernet Interface
On-board Storage	Built-in microSD slot, support microSD/microSDHC/microSDXC cards, up to 256 GB
Alarm Input	7 alarm inputs
Alarm Output	2 alarm output
Audio Input	1 audio input, 2.0 to 2.4Vp-p, 1k Ohm±10%
Audio Output	1 audio output, line level, impedance: 600 Ω
Video Output	1.0V[p-p]/75Ω, PAL, NTSC, BNC connector
RS-485	Half duplex, HIKVISION, Pelco-P, Pelco-D, self-adaptive
<b>Supplement Light</b>	
IR Distance	500 meters
Smart IR	yes
<b>General</b>	
Power	36 VDC
Power Consumption and Current	max. 90 W, including max. 12 W for IR
Operating Conditions	Temperature: -40°C to 70°C (-40°F to 158°F), Humidity: ≤ 95%
Wiper	Yes. Rain-sensing auto control
Material	ADC12
Dimensions	Φ 293 mm × 422 mm (Φ 11.5" × 16.6")
Weight	Approx. 13 kg (28.7 lb)
Web Client Language	32 languages. English, Russian, Estonian, Bulgarian, Hungarian, Greek, German, Italian, Czech, Slovak, French, Polish, Dutch, Portuguese, Spanish, Romanian, Danish, Swedish, Norwegian, Finnish, Croatian, Slovenian, Serbian, Turkish, Korean, Traditional Chinese, Thai, Vietnamese, Japanese, Latvian, Lithuanian, Portuguese (Brazil)

## Approval

EMC	Lightning Protection, Surge Protection and Voltage Transient Protection, ±6kV Line to Gnd, ±3kV Line to Line, IEC61000-4-5
Protection	IP67

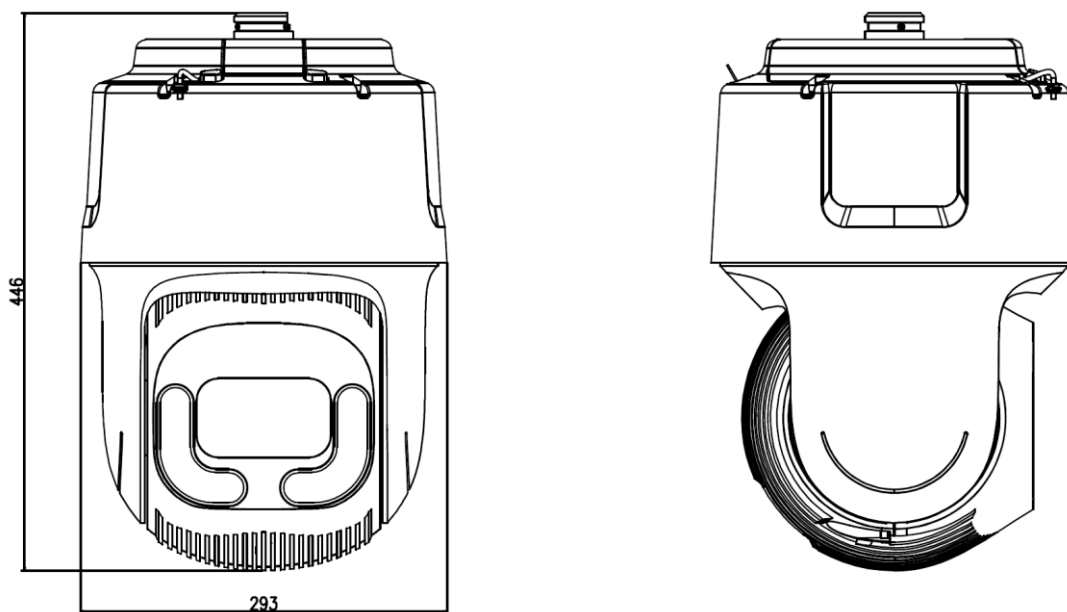
## DORI

The DORI (detect, observe, recognize, identify) distance gives the general idea of the camera ability to distinguish persons or objects within its field of view.

It is calculated based on the camera sensor specification and the criteria given by EN 62676-4: 2015.

DORI	Detect	Observe	Recognize	Identify
Definition	25 px/m	63 px/m	125 px/m	250 px/m
Distance (Tele)	3351.7 m (10996.4 ft)	1330 m (4363.5 ft)	670.3 m (2199.1 ft)	335.2 m (1099.7 ft)

## Dimension



## Accessory

Included:



Power adapter, 36 VDC



Installation Adapter

Optional:



DS-1603ZJ-P  
Wall mount



DS-1603ZJ-Pole-P  
Vertical pole mount



DS-1668ZJ(20)-P  
Pendant mount



DS-1668ZJ-P  
Pendant mount

## Available Model

DS-2DF9C245IHS-DLW (T2)



Distributed by



## **HIKVISION®**

### **Headquarters**

No.555 Qianmo Road, Binjiang District,  
Hangzhou 310051, China  
T +86-571-8807-5998  
overseasbusiness@hikvision.com

### **Hikvision USA**

T +1-909-895-0400  
sales.usa@hikvision.com

### **Hikvision Australia**

T +61-2-8599-4233  
salesau@hikvision.com

### **Hikvision India**

T +91-22-28469900  
sales@pramahikvision.com

### **Hikvision Canada**

T +1-866-200-6690  
sales.canada@hikvision.com

### **Hikvision Thailand**

T +662-275-9949  
sales.thailand@hikvision.com

### **Hikvision Europe**

T +31-23-5542770  
sales.eu@hikvision.com

### **Hikvision Italy**

T +39-0438-6902  
info.it@hikvision.com

### **Hikvision Brazil**

T +55 11 3318-0050  
Latam.support@hikvision.com

### **Hikvision Turkey**

T +90 (216)521 7070- 7074  
sales.tr@hikvision.com

### **Hikvision Malaysia**

T +601-7652-2413  
sales.my@hikvision.com

### **Hikvision UK & Ireland**

T +01628-902140  
sales.uk@hikvision.com

### **Hikvision South Africa**

Tel: +27 (10) 0351172  
sale.africa@hikvision.com

### **Hikvision France**

T +33(0)1-85-330-450  
info.fr@hikvision.com

### **Hikvision Kazakhstan**

T +7-727-9730667  
nikia.panfilov@hikvision.ru

### **Hikvision Vietnam**

T +84-974270888  
sales.vt@hikvision.com

### **Hikvision UAE**

T +971-4-4432090  
salesme@hikvision.com

### **Hikvision Singapore**

T +65-6684-4718  
sg@hikvision.com

### **Hikvision Spain**

T +34-91-737-16-55  
info.es@hikvision.com

### **Hikvision Tashkent**

T +99-87-1238-9438  
uzb@hikvision.ru

### **Hikvision Hong Kong**

T +852-2151-1761  
info.hk@hikvision.com

### **Hikvision Russia**

T +7-495-669-67-99  
saleru@hikvision.com

### **Hikvision Korea**

T +82-(0)31-731-8817  
sales.korea@hikvision.com

### **Hikvision Poland**

T +48-22-460-01-50  
info.pl@hikvision.com

### **Hikvision Indonesia**

T +62-21-2933759  
Sales.Indonesia@hikvision.com

### **Hikvision Colombia**

sales.colombia@hikvision.com