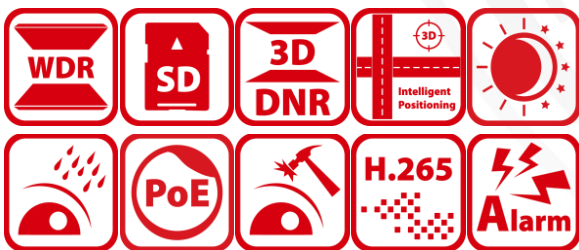


## DS-2DF6A436X-AEL (C) 4 MP 36 × Network Speed Dome

**DarkFighter**



Hikvision DS-2DF6A436X-AEL 4 MP 36 × Network Speed Dome adopts 1/1.8" progressive scan CMOS chip. With the 36 × optical zoom lens, the camera offers more details over expansive areas.

This series of cameras can be widely used for wide ranges of high-definition, such as the rivers, forests, roads, railways, airports, ports, squares, parks, scenic spots, stations and large venues, etc.

- 1/1.8" progressive scan CMOS
- Up to 2560 × 1440 resolution
- Min. illumination  
Color: 0.002 Lux @(F1.5, AGC ON)  
B/W: 0.0002 Lux @(F1.5, AGC ON)
- 36 × optical zoom, 16 × digital zoom
- 120dB WDR, 3D DNR, HLC, BLC, Optical Defog, EIS
- 24 VAC & Hi-PoE
- Support H.265+/H.265 video compression
- Deep-learning-based target classification algorithm for auto-tracking 2.0 and perimeter protection
- Rapid focus
- IK10, IP 67



## Specifications

| Camera Module         |   |
|-----------------------|---|
| Image Sensor          | 1/1.8" progressive scan CMOS  |
| Min. Illumination     | Color: 0.002 Lux @(F1.5, AGC ON); B/W: 0.0002 Lux @(F1.5, AGC ON)   |
| White Balance         | Auto/Manual/ATW (Auto-tracking White Balance)/Indoor/Outdoor/Fluorescent Lamp/Sodium Lamp   |
| Gain                  | Auto/Manual   |
| Shutter Time          | 1 to 1/30,000 s   |
| Day & Night           | IR Cut Filter   |
| Digital Zoom          | 16 ×  |
| Privacy Mask          | 24 programmable polygon privacy masks, mask color or mosaic configurable  |
| Focus Mode            | Auto/Semi-automatic/Manual  |
| WDR                   | 120 dB WDR  |
| Rapid Focus           | Yes   |
| Lens                  |   |
| Focal Length          | 5.7 to 205.2 mm, 36 × optical zoom  |
| Zoom Speed            | Approx. 4.4 s (optical lens, wide-tele)   |
| Field of View         | Horizontal field of view: 59.8° to 2.0° (wide-tele)<br>Vertical field of view: 33.6° to 1.1° (wide-tele)<br>Diagonal field of view: 68.6° to 2.3° (wide-tele) |
| Working Distance      | 10 to 1500 mm (wide-tele)   |
| Aperture Range        | F1.5 to F4.5  |
| PTZ                   |   |
| Movement Range (Pan)  | 360°, endless   |
| Pan Speed             | Configurable, from 0.1°/s to 350°/s. Preset speed: 540°/s   |
| Movement Range (Tilt) | -20° to 90°, auto flip  |
| Tilt Speed            | Configurable, from 0.1°/s to 240°/s. Preset speed: 400°/s   |
| Proportional Zoom     | Yes   |
| Presets               | 300   |
| Patrol Scan           | 8 patrols, up to 32 presets for each patrol   |
| Pattern               | 4 pattern scans, record time over 10 minutes for each scan  |
| Power-off Memory      | Yes   |
| Park Action           | Preset/Pattern Scan/Patrol Scan/Auto Scan/Tilt Scan/Random Scan/Frame Scan/Panorama Scan  |
| 3D Positioning        | Yes   |
| PTZ Position Display  | Yes   |
| Preset Freezing       | Yes   |
| Scheduled Task        | Preset/Pattern Scan/Patrol Scan/Auto Scan/Tilt Scan/Random Scan/Frame Scan/Panorama Scan/Dome Reboot/Dome Adjust/Aux Output                                   |

| Compression Standard   |   |
|------------------------|---|
| Video Compression      | Main Stream: H.265+/H.265/H.264+/H.264<br>Sub-Stream: H.265/H.264/MJPEG<br>Third Stream: H.265/H.264/MJPEG  |
| H.264 Type             | Baseline profile/main profile/high profile  |
| H.264+                 | Yes   |
| H.265 Type             | Main profile  |
| H.265+                 | Yes   |
| Video Bitrate          | 32 Kbps to 16384 Kbps   |
| Audio Compression      | G.711alaw/G.711ulaw/G.722.1/G.726/MP2L2/PCM   |
| Audio Bitrate          | 64Kbps(G.711)/16Kbps(G.722.1)/16Kbps(G.726)/32-192Kbps(MP2L2)   |
| SVC                    | Yes   |
| Smart Features         |   |
| Face Capture           | Detect and capture faces and upload face pictures   |
| Perimeter Protection   | Intrusion, Line Crossing, Region Entrance, Region Exiting. Support alarm triggering by specified target types (human and vehicle). Reduce mistaken alarm caused by target types such as leaf, light, animal, and flag, etc. |
| Event Detection        | Unattended Baggage Detection, Object Removal Detection, Audio Exception Detection   |
| Smart Tracking         | Manual Tracking, Auto Tracking (support tracking specified target types such as human and vehicle), Event Tracking  |
| Alarm Linkage          | Alarm actions, such as Preset, Patrol Scan, Pattern Scan, Memory Card Video Record, Trigger Recording, Notify Surveillance Center, Upload to FTP/Memory Card/NAS, Send Email, etc.  |
| Smart Record           | ANR (Automatic Network Replenishment), Dual-VCA   |
| Region of Interest     | Eight fixed region for each stream  |
| Image                  |   |
| Max. Resolution        | 2560 × 1440   |
| Main Stream            | 50Hz: 25 fps (2560 × 1440, 2048 × 1536, 1920 × 1080, 1280 × 960, 1280 × 720)<br>60Hz: 30 fps (2560 × 1440, 2048 × 1536, 1920 × 1080, 1280 × 960, 1280 × 720)  |
| Sub-Stream             | 50Hz: 25fps (704 × 576, 640 × 480, 352 × 288)<br>60Hz: 30fps (704 × 480, 640 × 480, 352 × 240)  |
| Third Stream           | 50Hz: 25fps (1920 × 1080, 1280 × 960, 1280 × 720, 704 × 576, 640 × 480, 352 × 288)<br>60Hz: 30fps (1920 × 1080, 1280 × 960, 1280 × 720, 704 × 480, 640 × 480, 352 × 240)  |
| Image Enhancement      | BLC, HLC, optical defog, 3D DNR, EIS, regional exposure, regional focus   |
| Network                |   |
| Network Storage        | Built-in memory card slot, support Micro SD/SDHC/SDXC, up to 256 GB; NAS (NFS, SMB/ CIFS), ANR  |
| Protocols              | IPv4/IPv6, HTTP, HTTPS, 802.1x, Qos, FTP, SMTP, UPnP, SNMP, DNS, DDNS, NTP, RTSP, RTCP, RTP, TCP/IP, DHCP, PPPoE, UDP, IGMP, ICMP, Bonjour  |
| API                    | ONVIF (Profile S, Profile G, Profile T), ISAPI, SDK   |
| Simultaneous Live View | Up to 20 channels   |
| User/Host              | Up to 32 users. 3 user levels: administrator, operator and user   |

|                     |  |
|---------------------|--|
| Security Measures   | User authentication (ID and PW), Host authentication (MAC address); HTTPS encryption; IEEE 802.1x port-based network access control; IP address filtering  |
| Client              | iVMS-4200, iVMS-4500, iVMS-5200, Hik-Connect   |
| Web Browser         | IE 8 to 11, Chrome 31.0+, Firefox 30.0+, Edge 16.16299+, Safari 11+  |
| <b>Interface</b>    |  |
| Alarm               | 7-ch alarm input/2-ch alarm output   |
| Audio               | 1-ch audio input, 2.0 to 2.4Vp-p, 1k Ohm ± 10%<br>1-ch audio output , line level, impedance: 600Ω  |
| Network Interface   | 1 RJ45 10 M/100 M Ethernet interface, Hi-PoE   |
| RS-485              | Half duplex, HIKVISION, Pelco-P, Pelco-D, self-adaptive  |
| Video Out           | 1.0 V [p-p]/75 Ω, NTSC (or PAL) composite, BNC connector   |
| <b>General</b>      |  |
| Language            | 32 languages. English, Russian, Estonian, Bulgarian, Hungarian, Greek, German, Italian, Czech, Slovak, French, Polish, Dutch, Portuguese, Spanish, Romanian, Danish, Swedish, Norwegian, Finnish, Croatian, Slovenian, Serbian, Turkish, Korean, Traditional Chinese, Thai, Vietnamese, Japanese, Latvian, Lithuanian, Portuguese (Brazil) |
| Power               | 24 V, 2.5 A, 50/60Hz, AC (max. 60 W, including max.10 W for heater)<br>Hi-PoE, 42.5-57 V, 0.75 A (max. 50 W, including max.10 W for heater)  |
| Working Environment | Temperature: -40°C to 70°C (-40°F to 158°F), humidity: ≤ 95%, no condensing  |
| Protection Level    | IP67 Standard, IK10, 6000V Lightning Protection, Surge Protection and Voltage Transient Protection   |
| Material            | Aluminum alloy   |
| Dimension           | Φ 231.1 mm × 355.6 mm (Φ 9.10" × 14")  |
| Weight              | Approx. 6 kg (13.23 lb)  |

## DORI

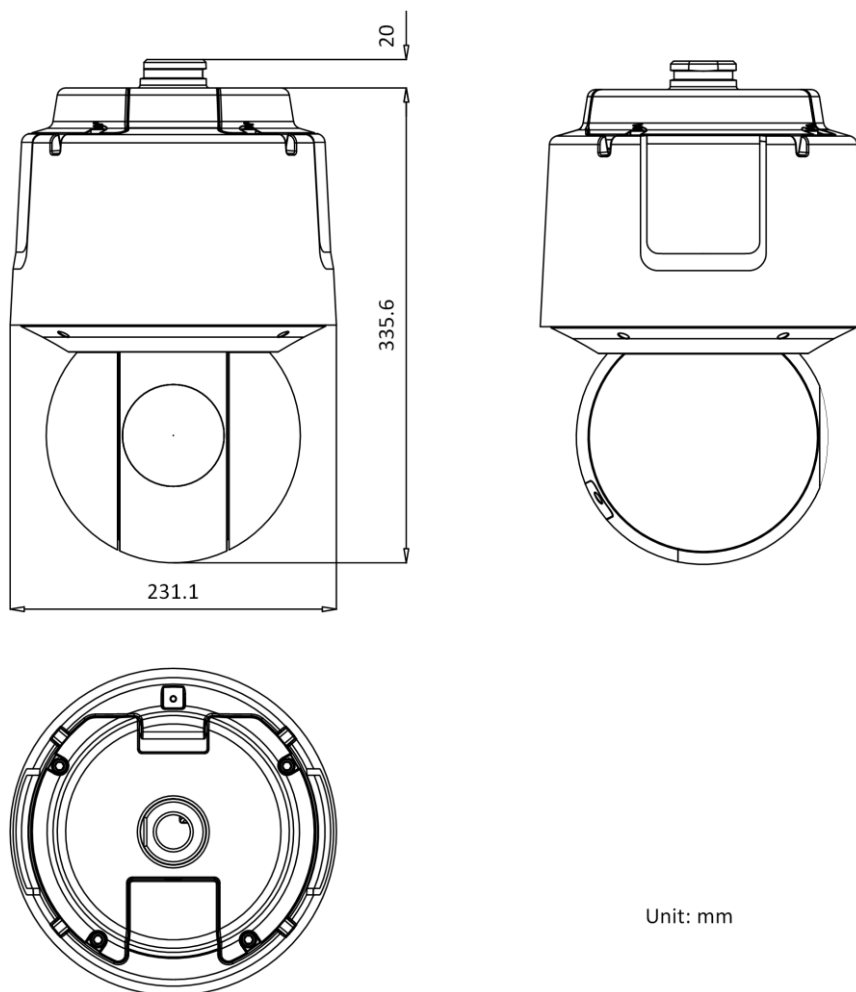
The DORI (detect, observe, recognize, identify) distance gives the general idea of the camera ability to distinguish persons or objects within its field of view. It is calculated based on the camera sensor specification and the criteria given by EN 62676-4: 2015.

| DORI            | Detect               | Observe              | Recognize           | Identify           |
|-----------------|----------------------|----------------------|---------------------|--------------------|
| Definition      | 25 px/m              | 63 px/m              | 125 px/m            | 250 px/m           |
| Distance (Tele) | 2786.2 m (9141.1 ft) | 1105.6 m (3627.4 ft) | 557.2 m (1828.2 ft) | 278.6 m (914.1 ft) |

## Available Model

DS-2DF6A436X-AEL (C), 24 VAC & Hi-PoE

**Dimensions**



Unit: mm

**Accessory**

**Included**



**Installation Adapter**

**Optional**



**DS-1602ZJ-P  
Wall Mount**



**DS-1604ZJ-BOX-P  
Wall Mount with Junction  
Box**



**DS-1602ZJ-Pole-P  
Vertical Pole Mount**



**DS-1602ZJ-Corner-P  
Corner Mount**



**DS-1660ZJ-P**  
**Parapet Mount**



**DS-1662ZJ-P**  
**Pendant Mount**



**DS-1661ZJ-P**  
**Pendant Mount**



**DS-1682ZJ-P**  
**Extendable Pole for  
Pendant Mount**



**DS-1667ZJ-P**  
**Extendable Pole for  
Pendant Mount**



**DS-1663ZJ-P**  
**Ceiling Mount**



**DS-1005KI**  
**USB Joy-stick**



**LAS60-57CN-RJ45**  
**Hi-PoE Midspan**



**DS-1100KI**  
**Network Keyboard**



**TEAC-66-243000V (EU)**  
**MKAC-66-243000U (USA)**  
**TEAC-66-243000VB (UK)**  
**Power adapter**

Distributed by

**HIKVISION®****Headquarters**

No.555 Qianmo Road, Binjiang District,  
Hangzhou 310051, China  
T +86-571-8807-5998  
overseasbusiness@hikvision.com

**Hikvision USA**  
T +1-909-895-0400  
sales.usa@hikvision.com

**Hikvision Australia**  
T +61-2-8599-4233  
salesau@hikvision.com

**Hikvision India**  
T +91-22-28469900  
sales@pramahikvision.com

**Hikvision Canada**  
T +1-866-200-6690  
sales.canada@hikvision.com

**Hikvision Thailand**  
T +662-275-9949  
sales.thailand@hikvision.com

**Hikvision Europe**  
T +31-23-5542770  
sales.eu@hikvision.com

**Hikvision Italy**  
T +39-0438-6902  
info.it@hikvision.com

**Hikvision Brazil**  
T +55 11 3318-0050  
Latam.support@hikvision.com

**Hikvision Turkey**  
T +90 (216)521 7070- 7074  
sales.tr@hikvision.com

**Hikvision Malaysia**  
T +601-7652-2413  
sales.my@hikvision.com

**Hikvision UK & Ireland**  
T +01628-902140  
sales.uk@hikvision.com

**Hikvision South Africa**  
Tel: +27 (10) 0351172  
sale.africa@hikvision.com

**Hikvision France**  
T +33(0)1-85-330-450  
info.fr@hikvision.com

**Hikvision Kazakhstan**  
T +7-727-9730667  
nikia.panfilov@hikvision.ru

**Hikvision Vietnam**  
T +84-974270888  
sales.vt@hikvision.com

**Hikvision UAE**  
T +971-4-4432090  
salesme@hikvision.com

**Hikvision Singapore**  
T +65-6684-4718  
sg@hikvision.com

**Hikvision Spain**  
T +34-91-737-16-55  
info.es@hikvision.com

**Hikvision Tashkent**  
T +99-87-1238-9438  
uzb@hikvision.ru

**Hikvision Hong Kong**  
T +852-2151-1761  
info.hk@hikvision.com

**Hikvision Russia**  
T +7-495-669-67-99  
sateru@hikvision.com

**Hikvision Korea**  
T +82-(0)31-731-8817  
sales.korea@hikvision.com

**Hikvision Poland**  
T +48-22-460-01-50  
info.pl@hikvision.com

**Hikvision Indonesia**  
T +62-21-2933759  
Sales.Indonesia@hikvision.com

**Hikvision Colombia**  
sales.colombia@hikvision.com