

DS-2DP0818ZIX-D/236(5mm) (B) PanoVu Series 180° Panoramic + PTZ Camera

PanoVu



Hikvision DS-2DP0818ZIX-D/236(5mm) PanoVu Series 180° Panoramic + PTZ Camera, is able to capture panoramic images as well as close-up images to give consideration to both panorama and details. The panoramic images are captured by four sensors, which could realize 180° panorama monitoring. The design of integration model and high speed PTZ can offer the function of fast detail positioning over panoramic area.

Furthermore, with its advanced video analysis and multiple targets tracking algorithm, PanoVu camera also features a wide range of smart functions for multiple targets within the panoramic view filed, including intrusion detection, line crossing detection, region entrance detection, and region exiting detection. The camera could also output alarm signals to link the PTZ for tracking, benefitting users with great improvement on security efficiency.

Key Features

Panoramic Camera

- Four 1/1.8" progressive scan CMOS
- Up to 4096×1800 resolution @30fps
- Horizontal field of view: 180°, vertical field of view: 80°
- Min. illumination: Color: 0.005 Lux@(F2.0, AGC ON), B/W: 0.0005 Lux@(F2.0, AGC ON)

Tracking PTZ Camera

- 1/1.8" progressive scan CMOS
- Up to 1920×1080 resolution @30fps
- Pan and tilt range: 360° (Pan), -15° to 90° (Tilt)
- Min. illumination: Color: 0.002 Lux@(F1.5, AGC ON), B/W: 0.0002 Lux@(F1.5, AGC ON), 0 Lux with IR
- 36× Optical Zoom, 16× Digital Zoom
- IR distance: 200m



Specification

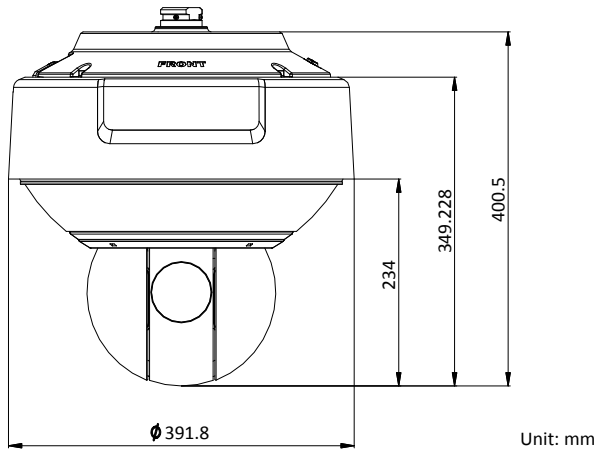
Camera Module	
DS-2DP0818ZIX-D/236(5mm) (B) PanoVu Series 180° Panoramic + PTZ Camera	
One-touch Link	Support
Tracking Mode	Manual/ Auto/ Mix
Multiple Targets Tracking	Support
Number of Targets	Up to 30 targets can be detected at the same time.
Target Switch Time	<1s
Calibration	Manual/ Auto
Tracking Duration	Up to 60 s
Sensitivity Settings	Support
Panoramic Camera	
Image Sensor	Four 1/1.8" Progressive Scan CMOS
Min. Illumination	Color: 0.005 Lux@(F2.0, AGC ON), B/W: 0.0005 Lux@(F2.0, AGC ON)
Lens	5.0mm/ F2.0
Field of View	Horizontal : 180°, Vertical: 80°
Smart Image Enhancement	Digital WDR, 3D DNR, HLC
Video Compression	Main Stream: H.265+/H.265/H.264+/H.264 Sub-Stream: H.265/H.264/MJPEG Third Stream: H.265/H.264
Main Stream Resolution	20:9 50Hz: 25fps (4096×1800, 3840×1680, 2720×1192) 60Hz: 30fps (4096×1800, 3840×1680, 2720×1192) 20:6 50Hz: 25fps (4096×1200, 3840×1080, 2720×800) 60Hz: 30fps (4096×1200, 3840×1080, 2720×800)
Sub-Stream Resolution	20:9 50Hz: 25fps (704×320, 512×232) 60Hz: 30fps (704×320, 512×232) 20:6 50Hz: 25fps (704×200) 60Hz: 30fps (704×200)
Third Stream Resolution	20:9 50Hz: 25fps (2048×896, 1280×560, 704×320, 512×232) 60Hz: 30fps (2048×896, 1280×560, 704×320, 512×232) 20:6 50Hz: 25fps (2048×600, 1280×376, 704×200) 60Hz: 30fps (2048×600, 1280×376, 704×200)
Basic Event Detection	Motion Detection
Smart Event Detection	Intrusion Detection, Line Crossing Detection, Region Entrance Detection, Region Exiting Detection
Tracking PTZ Camera	
Image Sensor	1/1.8" Progressive Scan CMOS
Min. Illumination	Color: 0.002 Lux@(F1.5, AGC ON), B/W: 0.0002 Lux@(F1.5, AGC ON), 0 Lux with IR
IR	IR distance: 200m; IR brightness and angle are adjustable.
S/N Ratio	≥ 55 dB
Smart Image Enhancement	3D DNR, 120 dB WDR, Optical Defog, HLC, Smart IR, EIS
Focal Length	5.6 to 208mm, 36× optical zoom
Zoom Speed	Approx.6.6s (Optical Wide-Tele)
Horizontal FOV	62.5° to 1.9° (Wide-Tele)
Min. Working Distance	10mm to 1500mm (Wide-Tele)
Aperture Range	F1.5 to F4.5
Pan and Tilt Range	Pan: 360°, Tilt: -15° to 90°
Pan and Tilt Speed	Pan Manual Speed: 0.1°/s to 210°/s (Configurable), Pan Preset Speed: 240°/s Tilt Manual Speed: 0.1°/s to 150°/s (Configurable), Tilt Preset Speed: 200°/s

Preset Number	300
Patrol	8 patrols, up to 32 presets per patrol
Pattern	4 patterns, with the recording time not less than 10 minutes per pattern
Park Action	Preset/ Pattern Scan/ Patrol Scan/ Auto Scan/ Tilt Scan/ Random Scan/ Frame Scan/ Panorama Scan
Scheduled Task	Preset/ Pattern Scan/ Patrol Scan/ Auto Scan/ Tilt Scan/ Random Scan/ Frame Scan/ Panorama Scan/ Dome Reboot/ Dome Adjust/ Aux Output
Power-off Memory	Support
3D Positioning	Support
Video Compression	Main Stream: H.265+/H.265/H.264+/H.264 Sub-Stream: H.265/H.264/MJPEG Third Stream: H.265/H.264
Main Stream Resolution	50Hz: 25fps (1920×1080, 1280×960, 1280×720) 60Hz: 30fps (1920×1080, 1280×960, 1280×720)
Sub-Stream Resolution	50Hz: 25fps (704×576, 640×480, 352×288) 60Hz: 30fps (704×480, 640×480, 352×240)
Third Stream Resolution	50Hz: 25fps (1920×1080, 1280×960, 1280×720, 704×576, 640×480, 352×288) 60Hz: 30fps (1920×1080, 1280×960, 1280×720, 704×480, 640×480, 352×240)
Target Filtering	People and vehicle are classified and filtered separately.
Basic Event Detection	Motion Detection, Video Tampering Detection, HDD Full, HDD Error, Network Disconnected, IP Address Conflicted, Illegal Login
Smart Event Detection	Intrusion Detection, Line Crossing Detection, Region Entrance Detection, Region Exiting Detection, Face Detection, Audio Exception Detection,
Network	
Audio Compression	G.711alaw/G.711ulaw/G.722.1/G.726/MP2L2/PCM
Protocols	TCP/IP, IPv4/IPv6, HTTP, HTTPS, 802.1x, Qos, FTP, SMTP, UPnP, SNMP, DNS, DDNS, NTP, RTSP, RTCP, RTP, TCP, UDP, IGMP, ICMP, DHCP, PPPoE, Bonjour
API	Open-ended, support ONVIF, support HIKVISION SDK and Third-Party Management Platform
System Interface	
Network Interface	1 self-adaptive Ethernet interface
Fiber Cable	1 1000M FC interface, TX1310/ RX1550nm wavelength, 20 km transmission distance
RS-485	Half duplex, HIKVISION, Pelco-P and Pelco-D self-adaptive
Alarm Input/ Output	7-ch alarm input and 2-ch alarm output, support alarm linkage: Preset/ Patrol Scan/ Memory Card Recording/ Aux Output/ Notify Surveillance Center/ Upload to FTP/ Send Email
Audio Input/ Output	1-ch audio input and 1-ch audio output.
Storage	Built-in memory card slot, support Micro SD/SDHC/SDXC (up to 128GB)
General	
Power Supply	36 VDC
Power Consumption	105 W Max.
Working Temperature	Outdoor: -40°C to 70°C (-40°F to 158°F)
Working Humidity	≤ 90%
Protection Level	IP66 Standard, TVS 6000V Lightning Protection, Surge Protection and Voltage Transient Protection
Dimension	Φ391.8mm×400.5mm (Φ15.43"×15.77")
Weight	Approx. 18kg (39.68lb)

Available Model

DS-2DP0818ZIX-D/236(5mm) (B), 180° Panoramic

Dimensions



Accessories



DS-1603ZJ-P
Wall Mounting Bracket



DS-1668ZJ-P
Pendant Mounting Bracket



DS-1668ZJ(20)-P
Pendant Mounting Bracket



DS-1603ZJ-Pole-P
Vertical Pole Mounting Bracket



Headquarters

No.555 Qianmo Road, Binjiang District,
Hangzhou 310051, China
T +86-571-8807-5998
overseasbusiness@hikvision.com

Hikvision USA
T +1-909-895-0400
sales.usa@hikvision.com

Hikvision Australia
T +61-2-8599-4233
salesau@hikvision.com

Hikvision India
T +91-22-28469900
sales@pramahikvision.com

Hikvision Canada
T +1-866-200-6690
sales.canada@hikvision.com

Hikvision Thailand
T +662-275-9949
sales.thailand@hikvision.com

Hikvision Europe
T +31-23-5542770
sales.eu@hikvision.com

Hikvision Italy
T +39-0438-6902
info.it@hikvision.com

Hikvision Brazil
T +55 11 3318-0050
Latam.support@hikvision.com

Hikvision Turkey
T +90 [216]521 7070- 7074
sales.tr@hikvision.com

Hikvision Malaysia
T +601-7652-2413
sales.my@hikvision.com

Hikvision UK & Ireland
T +01628-902140
sales.uk@hikvision.com

Hikvision South Africa
Tel: +27 (10) 0351172
sale.africa@hikvision.com

Hikvision France
T +33(0)1-85-330-450
info.fr@hikvision.com

Hikvision Kazakhstan
T +7-727-9730667
nikia.panfilov@hikvision.ru

Hikvision Vietnam
T +84-974270888
sales.vt@hikvision.com

Hikvision UAE
T +971-4-4432090
salesme@hikvision.com

Hikvision Singapore
T +65-6684-4718
sg@hikvision.com

Hikvision Spain
T +34-91-737-16-55
info.es@hikvision.com

Hikvision Tashkent
T +99-87-1238-9438
uzb@hikvision.ru

Hikvision Hong Kong
T +852-2151-1761
info.hk@hikvision.com

Hikvision Russia
T +7-495-669-67-99
saleru@hikvision.com

Hikvision Korea
T +82-[0]31-731-8817
sales.korea@hikvision.com

Hikvision Poland
T +48-22-460-01-50
info.pl@hikvision.com

Hikvision Indonesia
T +62-21-2933759
Sales.Indonesia@hikvision.com

Hikvision Colombia
sales.colombia@hikvision.com