

## DS-2CD6A64F-IHS/NFC 24 MP PanoVu Camera



### smart IPC

- 1/1.8" Progressive Scan CMOS
- 8208 × 3072 @ 30fps
- FOV: horizontal 180°, vertical 80°
- H.265, H.264
- Fiber optic transmission
- Up to 50 m IR range
- IP66
- Image stitching and single video stream output
- 6 behavior analyses, 1 exception detection, and face detection



## Specifications

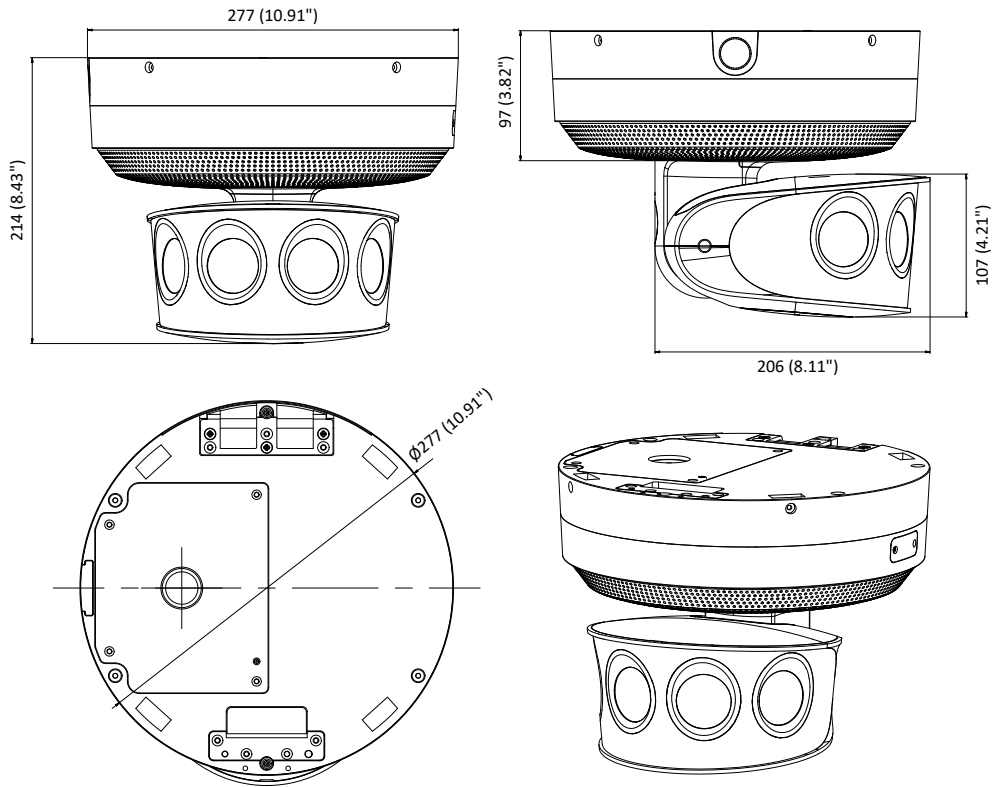
<b>Camera</b>		
Image Sensor	1/1.8" Progressive Scan CMOS	
Min. Illumination	Color: 0.01 Lux @ (F1.2, AGC ON) B/W: 0.001Lux @ (F1.2, AGC ON)	
Shutter Speed	1/25 s - 1/100,000 s	
Auto-iris	Not support	
Day & Night	IR Cut Filter	
Digital Noise Reduction	3D DNR	
WDR	105 dB	
3-Axis Adjustment	Pan: -90° to +90°, tilt:-45° to 90°	
<b>Lens</b>		
Focal length	5.5 mm	
Aperture	F1.8	
FOV	Horizontal field of view: 180° Vertical field of view: 80° Diagonal field of view: 196°	
Lens Mount	CS	
<b>IR</b>		
IR Range	Up to 50 m	
<b>Compression Standard</b>		
Video Compression	Main stream: H.265/H.264 Sub stream: H.265/H.264	
H.264 Type	Baseline Profile/Main Profile/High Profile	
H.265 Type	Main Profile	
Video Bit Rate	32 Kbps to 32 Mbps	
Audio Compression	G.711/G.722.1/G.726/MP2L2/PCM	
Audio Bit Rate	64Kbps(G.711)/16Kbps(G.722.1)/16Kbps(G.726)/32-192Kbps(MP2L2)	
<b>Smart Feature-set</b>		
Behavior Analysis	Line crossing detection, intrusion detection, region entrance detection, region exiting detection, unattended baggage detection, object removal detection	
Exception Detection	Audio exception detection	
Face Detection	Support	
Region of Interest	Support 4 fixed region for each stream, and dynamic face tracking	
<b>Image</b>		
Max. Resolution	8208 × 3072	
Original Image	Main stream	50Hz: 25fps (8208 × 3072); 60Hz: 30fps (8208 × 3072)
	Sub-stream	50Hz: 25fps (4096 × 1536); 60Hz: 30fps (4096 × 1536)
Panoramic Image	Main stream	50Hz: 25fps (6912 × 2800); 60Hz: 30fps (6912 × 2800)
	Sub-stream	50Hz: 25fps (3456 × 1400); 60Hz: 30fps (3456 × 1400)
Image Enhancement	BLC/ 3D DNR	
Image Setting	Saturation, brightness, contrast, sharpness, and white balance are adjustable by client software or web browser	
SVC	Support	
Day/Night Switch	Auto/Schedule/Triggered by Alarm In	

Picture Overlay	LOGO picture can be overlaid on video with 128 × 128 24bit bmp format
<b>Network</b>	
Network Storage	Support Micro SD/SDHC/SDXC card (128G), local storage and NAS (NFS,SMB/CIFS), ANR
Alarm Trigger	Motion detection, video tampering alarm, network disconnected, IP address conflict, illegal login, HDD full, HDD error
Protocols	TCP/IP, ICMP, HTTP, HTTPS, FTP, DHCP, DNS, DDNS, RTP, RTSP, RTCP, PPPoE, NTP, UPnP, SMTP, SNMP, IGMP, 802.1X, QoS, IPv6, UDP
General Function	One-key reset, anti-flicker, mirror, heartbeat, password protection, privacy mask, watermark, IP address filter
API	ONVIF (PROFILE S, PROFILE G), PSIA, CGI, ISAPI
Simultaneous Live View	Up to 8 channels
User/Host	Up to 31 users 3 levels: Administrator, Operator and User
Client	iVMS-4200
Web Browser	IE8+, Chrome31-44, Firefox 30.0 - 51
<b>Interface</b>	
Audio	1-ch 3.5 mm input (line in), 1-ch 3.5mm output, dual-track, stereo
Communication Interface	1 RJ45 10M/100M/1000M Ethernet port 1 RS-485 interface 1 1000M FC fiber optical interface
Alarm	2 inputs, 2 outputs (up to 24 VD, 1A or 110 VAC, 500mA )
On-board storage	Built-in Micro SD/SDHC/SDXC slot, up to 128 GB
Reset Button	Yes
<b>Audio</b>	
Environment Noise Filtering	Support
Audio Sampling Rate	Max. 48 kHz
<b>Fiber Optical</b>	
Interface Type	FC interface
Optical Type	Single mode, single fiber
Input/output Wavelength	Tx1310nm/1.25G, Rx1550nm/1.25G
Transmission Distance	20 km
<b>General</b>	
Operating Conditions	-40 °C to +60 °C (-40 °F to +140 °F), Humidity 95% or less (non-condensing)
Power Supply	36 VDC ± 20%, terminal block
Power Consumption and Current	36 VDC ± 20%: max. 60W/1.6A
Protection Level	IP66
Material	Aluminum alloy, engineering plastics
Dimensions	Camera: 279 × 279 × 214 mm (11.0" × 11.0" × 8.4") Package: 403 × 378 × 413 mm (15.9" × 14.9" × 16.3")
Weight	Approx.8000 g (17.64 lb.)

**Available Models:**

DS-2CD6A64F-IHS/NFC

**Dimensions**



Unit: mm

**Accessories**



DS-1602ZJ  
Wall mount

Distributed by

**HIKVISION®****Headquarters**

No.555 Qianmo Road, Binjiang District,  
Hangzhou 310051, China  
T +86-571-8807-5998  
overseasbusiness@hikvision.com

**Hikvision USA**  
T +1-909-895-0400  
sales.usa@hikvision.com

**Hikvision Europe**  
T +31-23-55-42-770  
info.eu@hikvision.com

**Hikvision Middle East**  
T +971-4-8816086  
salesme@hikvision.com

**Hikvision Russia**  
T +7-495-669-67-99  
saleru@hikvision.com

**Hikvision India**  
T +91-22-28469900  
sales@pramahikvision.com

**Hikvision Italy**  
T +39-0438-6902  
info.it@hikvision.com

**Hikvision France**  
T +33(0)1-85-330-450  
info.fr@hikvision.com

**Hikvision Spain**  
T +34-91-737-16-55  
info.es@hikvision.com

**Hikvision Poland**  
T +48-22-460-01-50  
poland@hikvision.com

**Hikvision UK**  
T +01628-902140  
support.uk@hikvision.com

**Hikvision Singapore**  
T +65-6684-4718  
sg@hikvision.com

**Hikvision Oceania**  
T +61-2-8599-4233  
salesau@hikvision.com

**Hikvision Canada**  
T +1-909-895-0400  
sales.usa@hikvision.com

**Hikvision Korea**  
T +82-31-731-8841  
sales.korea@hikvision.com

**Hikvision Brazil**  
T +55 11 3318-0050  
Latam.support@hikvision.com

**Hikvision Africa**  
T +27 (10) 0351172  
sale.africa@hikvision.com

**Hikvision Hong Kong**  
T +852-2151-1761