

DS-2CD6365G0-IVS(B) 6 MP IR Network Fisheye Camera

DeepinView^{series}



DS-2CD6365G0-IVS(B) is a fisheye network camera capable of providing a 360-degree panoramic image of its surveillance scene. The progressive scan CMOS sensor provides high-resolution images of up to 3072 × 2048. Up to 18 live view display modes, designed for 3 mount types, meet various user preference. Three independently controlled IR lights offer a range of 15 m and provide good vision in low or even zero-light environment.

- 360° zero-blind zone image: a fisheye network camera capable of providing a 360 degree panoramic image of its surveillance scene
- Heatmap: based on deep learning algorithms, the camera counts people and presents an intuitive map
- IP67/IK10 water resistant and vandal proof, preventing water ingress for outdoor use
- Multi dewarping modes: the image can be dewarped to normal image for viewing intuitively
- Build-in mic and speaker: the camera supports two-way audio for real-time audio security monitoring and communication



▪ Specification

Camera	
Image Sensor	1/1.8" Progressive Scan CMOS
Max. Resolution	3072 × 2048
Min. Illumination	Color: 0.047 Lux @ (F2.6, AGC ON), B/W: 0.0047 Lux @ (F2.6, AGC ON), 0 Lux with IR
Shutter Time	1 s to 1/100,000 s
Day & Night	IR Cut Filter
Lens	
Focal Length & FOV	1.27 mm, horizontal FOV 180° (wall mount), 360° (ceiling mount), 360° (table mount)
Lens Mount	M12
Aperture	F2.6
DORI	
DORI	D: 21.3 m, O: 8.5 m, R: 4.3 m, I: 2.1 m
Illuminator	
Supplement Light Type	3 IR LEDs, each LED is independently controlled
Supplement Light Range	Up to 15 m
IR Wavelength	850 nm

Video	
Main Stream	<p>Fisheye View: 50 Hz: 25 fps (3072 × 2048, 2048 × 2048, 1280 × 1280) 60 Hz: 30 fps (3072 × 2048, 2048 × 2048, 1280 × 1280)</p> <p>180 Panorama View: 50 Hz: 25 fps (2048 × 1536, 1920 × 1080) 60 Hz: 30 fps (2048 × 1536, 1920 × 1080)</p> <p>Panorama View: 50 Hz: 25 fps (2048 × 1536, 1920 × 1080) 60 Hz: 30 fps (2048 × 1536, 1920 × 1080)</p> <p>4PTZ: 50 Hz: camera 01: 25 fps (1024 × 768, 640 × 480, 640 × 360, 320 × 240) camera 02: 25 fps (1024 × 768, 640 × 480, 640 × 360, 320 × 240) camera 03: 25 fps (1024 × 768, 640 × 480, 640 × 360, 320 × 240) camera 04: 25 fps (1024 × 768, 640 × 480, 640 × 360, 320 × 240) 60 Hz: camera 01: 30 fps (1024 × 768, 640 × 480, 640 × 360, 320 × 240) camera 02: 30 fps (1024 × 768, 640 × 480, 640 × 360, 320 × 240) camera 03: 30 fps (1024 × 768, 640 × 480, 640 × 360, 320 × 240) camera 04: 30 fps (1024 × 768, 640 × 480, 640 × 360, 320 × 240)</p> <p>Fisheye + 3PTZ: 50 Hz: camera 01: 25 fps (2048 × 2048, 1024 × 1024) camera 02: 25 fps (1024 × 768) camera 03: 25 fps (1024 × 768) camera 04: 25 fps (1024 × 768) 60 Hz: camera 01: 30 fps (2048 × 2048, 1024 × 1024) camera 02: 30 fps (1024 × 768) camera 03: 30 fps (1024 × 768) camera 04: 30 fps (1024 × 768)</p> <p>4PTZ Fusion: 50 Hz: 25 fps (2048 × 1536, 1600 × 1200, 1280 × 960, 1024 × 768) 60 Hz: 30 fps (2048 × 1536, 1600 × 1200, 1280 × 960, 1024 × 768)</p>
Sub-Stream	<p>Fisheye View: 50 Hz: 25 fps (720 × 720, 720 × 480) 60 Hz: 30 fps (720 × 720, 720 × 480)</p> <p>180 Panorama View: 50 Hz: 25 fps (640 × 480, 640 × 360, 320 × 240) 60 Hz: 30 fps (640 × 480, 640 × 360, 320 × 240)</p> <p>Panorama View: 50 Hz: 25 fps (640 × 480, 640 × 360, 320 × 240) 60 Hz: 30 fps (640 × 480, 640 × 360, 320 × 240)</p> <p>Fisheye + 3PTZ: 50 Hz: camera 01: 25 fps (720 × 720) 60 Hz: camera 01: 30 fps (720 × 720)</p>
Video Compression	<p>Main stream: H.265+/H.265/H.264+/H.264 Sub stream: H.265/H.264/MJPEG</p>
Video Bit Rate	32 Kbps to 16 Mbps

H.264 Type	Baseline Profile/Main Profile/High Profile
H.265 Type	Main Profile
Scalable Video Coding (SVC)	H.265 and H.264 encoding
Region of Interest (ROI)	4 fixed regions for main stream and sub-stream
Fisheye Display	
Mount Type	Support table, wall, and ceiling mounting
Decoding Mode	Support hardware decoding and software decoding
Display Mode	<p>18 display modes in total</p> <p>Software decoding:</p> <p>Ceiling mount: fisheye view, 180 panorama view, 360 panorama view, 360 panorama + PTZ, 360 panorama + 3PTZ, 360 panorama + 6PTZ, 360 panorama + 8PTZ, 2PTZ, 4PTZ, fisheye + 3PTZ, fisheye + 8PTZ, half sphere, cylinder</p> <p>Wall mount: fisheye view, panorama view, panorama + 3PTZ, panorama + 8PTZ, 4PTZ, fisheye + 3PTZ, fisheye + 8PTZ</p> <p>Table mount: fisheye view, 180 panorama view, 360 panorama view, 360 panorama + PTZ, 360 panorama + 3PTZ, 360 panorama + 6PTZ, 360 panorama + 8PTZ, 4PTZ, fisheye + 3PTZ, fisheye + 8PTZ, cylinder</p> <p>Hardware decoding:</p> <p>Ceiling mount: fisheye view, 180 panorama view, panorama view, 4PTZ, fisheye + 3PTZ, 4PTZ fusion</p> <p>Wall mount: fisheye view, 180 panorama view, panorama view, 4PTZ, fisheye + 3PTZ, 4PTZ fusion</p> <p>Table mount: fisheye view, 180 panorama view, panorama view, 4PTZ, fisheye + 3PTZ, 4PTZ fusion</p>
Audio	
Audio Type	Mono sound
Audio Compression	G.711/G.722.1/G.726/MP2L2/PCM
Audio Bit Rate	64 Kbps (G.711)/16 Kbps (G.722.1)/16 Kbps (G.726)/32 to 160 Kbps (MP2L2)
Audio Sampling Rate	8 kHz/16 kHz
Environment Noise Filtering	Yes
Network	
Protocols	TCP/IP, ICMP, HTTP, HTTPS, FTP, DHCP, DNS, DDNS, RTP, RTSP, RTCP, PPPoE, NTP, UPnP, SMTP, SNMP, IGMP, 802.1X, QoS, IPv6, UDP, Bonjour
Simultaneous Live View	Up to 20 channels
API	Open Network Video Interface (PROFILE S, PROFILE G), ISAPI
User/Host	Up to 32 users. 3 user levels, administrator, operator and user
Security	Password protection, HTTPS encryption, IEEE 802.1X port-based network access control, IP address filter, basic and digest authentication for HTTP/HTTPS, WSSE and digest authentication for Open Network Video Interface
Network Storage	NAS (NFS, SMB/CIFS), auto network replenishment (ANR)
Client	iVMS-4200, iVMS-4500, Hik-Connect, iVMS-5200
Web Browser	IE 10 to 11, Chrome 57+, Firefox 52+, Safari 12+
Image	
Image Settings	Saturation, brightness, contrast, sharpness, AGC and white balance are adjustable by client software or web browser
Day/Night Switch	Day/Night/Auto/Schedule/Triggered by Alarm In

Wide Dynamic Range (WDR)	Digital WDR
Image Enhancement	BLC, HLC, defog, 3D DNR
Picture Overlay	LOGO picture can be overlaid on video with 128 × 128 24bit bmp format
Interface	
Ethernet Interface	1 RJ45 10 M/100 M/1000 M self-adaptive Ethernet port
On-Board Storage	Built-in memory card slot, support microSD/microSDHC/microSDXC/TF card, up to 256 GB
Built-in Microphone	Yes, two built-in microphone(s)
Built-in Speaker	Yes
Audio	1 input (line in), 3.5 mm connector, 1 output (line out), 3.5 mm connector
Alarm	1 input, max. 12 V; 1 output, max 24 VDC, 1 A
RS-485	1 RS-485 (Half duplex, HIKVISION, Pelco-P, Pelco-D, self-adaptive)
Reset Key	Yes
Event	
Basic Event	Motion detection, video tampering alarm, network disconnected, IP address conflicted, illegal login, HDD full, HDD error
Smart Event	Line crossing detection, intrusion detection, region entrance detection, region exiting detection, unattended baggage detection, object removal detection, audio exception detection
Deep Learning Function	
People Counting	Counts people entering, exiting and passing by separately Supports real-time uploading and uploading by statistic cycle Sends email reports on daily, weekly, monthly or annually basis Supports target filtering by height
Heat Map	A graphic description of visits (calculated by people number or by dwell time) in a configured area. Two heap map report types are available, space heat map and time heat map line chart
Intersection Analysis	Detects and analyze flow in an intersection-like scene, and generate reports Support one intersection of up to 10 ways
General	
Power	12 VDC ± 25%, 0.9 A, max. 11 W, two-core terminal block PoE: 802.3af, class 0, 36 to 57 V, 0.34 A to 0.22 A, max. 12.95 W
Material	Main body: Metal Cover: Plastic
Dimension	167.4 mm × 152.8 mm × 55 mm (6. 6" × 6" × 2.2")
Weight	Approx. 720 g (1.6 lb.)
With Package Weight	Approx. 1.3 kg (2.9 lb.)
Startup and Operating Conditions	-40 °C to +60 °C (-40 °F to +140 °F). Humidity 95% or less (non-condensing)
General Function	One-key reset, anti-flicker, heartbeat, password protection, privacy mask, watermark, IP address filter
Heater	Yes

Approval

EMC	FCC: 47 CFR Part 15, Subpart B, CE-EMC: EN 55032: 2015, EN 61000-3-2:2019, EN 61000-3-3: 2013+A1:2019, EN 50130-4: 2011 +A1: 2014, RCM: AS/NZS CISPR 32: 2015, IC: ICES-003: Issue 7, KC: KN32: 2015, KN35: 2015
Safety	UL: UL 62368-1, CB: IEC 62368-1: 2014+A11, CE-LVD: EN 62368-1: 2014/A11: 2017, BIS: IS 13252 (Part 1): 2010/IEC 60950-1: 2005, LOA: IEC/EN 60950-1
Environment	CE-RoHS: 2011/65/EU, WEEE: 2012/19/EU, Reach: Regulation (EC) No 1907/2006
Protection	IP67: IEC 60529-2013, IK10: IEC 62262:2002

▪ Available Model

DS-2CD6365G0-IVS(B) (1.27 mm)

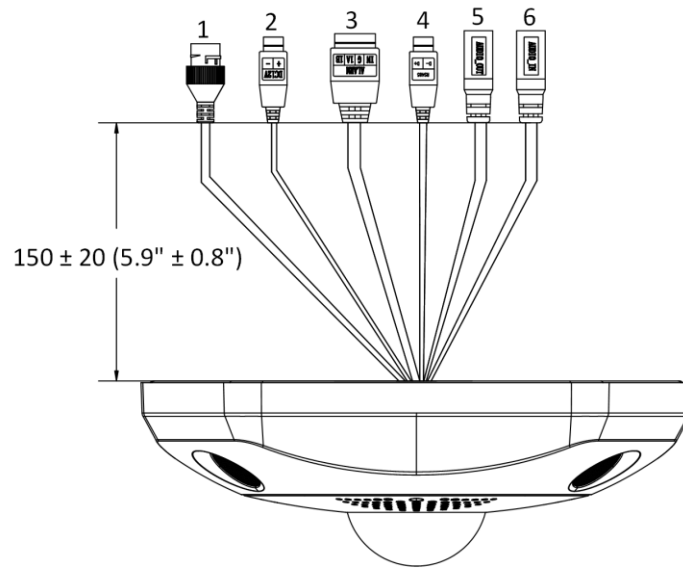
▪ Typical Application

Hikvision products are classified into three levels according to their anti-corrosion performance. Refer to the following description to choose for your using environment.

This model has NO SPECIFIC PROTECTION.

Level	Description
Top-level protection	Hikvision products at this level are equipped for use in areas where professional anti-corrosion protection is a must. Typical application scenarios include coastlines, docks, chemical plants, and more.
Moderate protection	Hikvision products at this level are equipped for use in areas with moderate anti-corrosion demands. Typical application scenarios include coastal areas about 2 kilometers (1.24 miles) away from coastlines, as well as areas affected by acid rain.
No specific protection	Hikvision products at this level are equipped for use in areas where no specific anti-corrosion protection is needed.

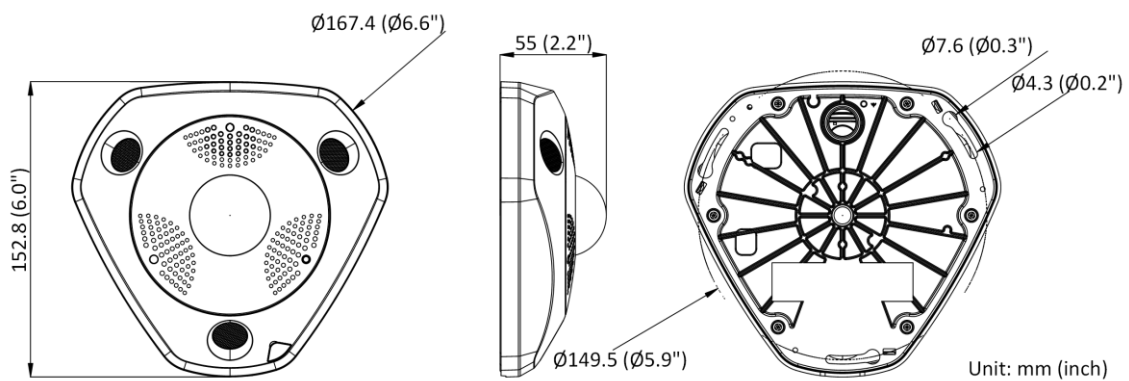
▪ **Physical Interface**



Unit : mm (inch)

No.	Interface Description
1	Network Interface
2	Power Interface
3	Alarm Interface
4	RS-485
5	Audio Output Interface
6	Audio Input Interface









▪ **Dimension**



Unit: mm (inch)

▪ **Accessory**

▪ **Optional**

DS-1281ZJ-DM25-B Inclined Ceiling Mount	DS-1275ZJ-SUS Vertical Pole Mount	DS-1280ZJ-DM25 Junction Box	DS-1276ZJ-SUS Corner Mount	DS-1281ZJ-DM25 Inclined Ceiling Mount
				
DS-1271ZJ-DM25 Pendant Mount	DS-1283ZJ Wall Mount	DS-1273ZJ-DM25 Wall Mount		
				

**It is recommended to use DS-1276ZJ-SUS and DS-1275ZJ-SUS with DS-1273ZJ-DM25 or DS-1283ZJ.*

Distributed by

**HIKVISION®****Headquarters**

No.555 Qianmo Road, Binjiang District,
Hangzhou 310051, China
T +86-571-8807-5998
overseasbusiness@hikvision.com

Hikvision USA
T +1-909-895-0400
sales.usa@hikvision.com

Hikvision Australia
T +61-2-8599-4233
salesau@hikvision.com

Hikvision India
T +91-22-28469900
sales@pramahikvision.com

Hikvision Canada
T +1-866-200-6690
sales.canada@hikvision.com

Hikvision Thailand
T +662-275-9949
sales.thailand@hikvision.com

Hikvision Europe
T +31-23-5542770
sales.eu@hikvision.com

Hikvision Italy
T +39-0438-6902
info.it@hikvision.com

Hikvision Brazil
T +55 11 3318-0050
Latam.support@hikvision.com

Hikvision Turkey
T +90 (216)521 7070- 7074
sales.tr@hikvision.com

Hikvision Malaysia
T +601-7652-2413
sales.my@hikvision.com

Hikvision UK & Ireland
T +01628-902140
sales.uk@hikvision.com

Hikvision South Africa
Tel: +27 (10) 0351172
sale.africa@hikvision.com

Hikvision France
T +33(0)1-85-330-450
info.fr@hikvision.com

Hikvision Kazakhstan
T +7-727-9730667
nikia.panfilov@hikvision.ru

Hikvision Vietnam
T +84-974270888
sales.vt@hikvision.com

Hikvision UAE
T +971-4-4432090
salesme@hikvision.com

Hikvision Singapore
T +65-6684-4718
sg@hikvision.com

Hikvision Spain
T +34-91-737-16-55
info.es@hikvision.com

Hikvision Tashkent
T +99-87-1238-9438
uzb@hikvision.ru

Hikvision Hong Kong
T +852-2151-1761
info.hk@hikvision.com

Hikvision Russia
T +7-495-669-67-99
saleru@hikvision.com

Hikvision Korea
T +82-(0)31-731-8817
sales.korea@hikvision.com

Hikvision Poland
T +48-22-460-01-50
info.pl@hikvision.com

Hikvision Indonesia
T +62-21-2933759
Sales.Indonesia@hikvision.com

Hikvision Colombia
sales.colombia@hikvision.com