

DS-2CD2721G0-I(Z)(S)

2 MP IR VF Dome Network Camera



Key Features

- 1/2.8" Progressive Scan CMOS
- 1920 × 1080@30fps
- 2.8 to 12 mm varifocal lens
- Color: 0.01 Lux @(F1.2, AGC ON), 0.028Lux @(F2.0, AGC ON);
- H.265+, H.265, H.264+, H.264
- 120dB WDR
- 2 Behavior analyses
- BLC/3D DNR/ROI
- Built-in micro SD/SDHC/SDXC card slot, up to 128 GB
- IP67, IK10



Specifications

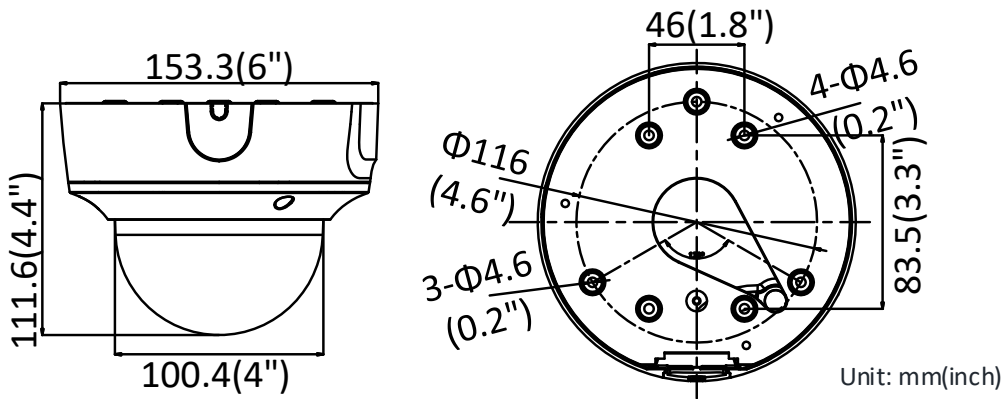
Camera	
Image Sensor	1/2.8" Progressive Scan CMOS
Min. Illumination	Color: 0.01 Lux @(F1.2, AGC ON), 0.028Lux @(F2.0, AGC ON); B/W: 0.001 Lux @(F1.2, AGC ON), 0.0028 Lux @(F2.0, AGC ON), 0 Lux with IR
Shutter Speed	1/3 s to 1/100,000 s
Slow Shutter	Yes
Auto-Iris	No
Day & Night	IR Cut Filter
Digital Noise Reduction	3D DNR
WDR	120 dB
3-Axis Adjustment	Pan: 0° to 355°, tilt: 0° to 75°, rotation: 0° to 355°
Lens	
Focal Length	2.8 to 12 mm
Aperture	F2.0
Focus	-Z: Auto Without -Z: Manual
FOV	Horizontal FOV: 99.6° to 35°, vertical FOV: 53.5° to 20°, diagonal FOV: 118.6° to 40.2°
Lens Mount	Φ14
IR	
IR Range	Up to 30 m
Wavelength	850nm
Compression Standard	
Video Compression	Main stream: H.265/H.264 Sub-stream: H.265/H.264/MJPEG
H.264 Type	Baseline Profile/Main Profile/High Profile
H.264+	Main stream supports
H.265 Type	Main Profile
H.265+	Main stream supports
Video Bit Rate	32 Kbps to 8 Mbps
Audio Compression (-S)	G.711/G.722.1/G.726/MP2L2/PCM
Audio Bit Rate (-S)	64Kbps(G.711)/16Kbps(G.722.1)/16Kbps(G.726)/32-192Kbps(MP2L2)
Smart Feature-set	
Behavior Analysis	Line crossing detection, intrusion detection
Face Detection	Yes
Region of Interest	1 fixed region for main stream
Image	
Max. Resolution	1920 × 1080
Main Stream	50Hz: 25fps (1920 × 1080, 1280 × 960, 1280 × 720) 60Hz: 30fps (1920 × 1080, 1280 × 960, 1280 × 720)
Sub-Stream	50Hz: 25fps (640 × 480, 640 × 360, 320 × 240) 60Hz: 30fps (640 × 480, 640 × 360, 320 × 240)
Image Enhancement	BLC/3D DNR
Image Settings	Rotate mode, saturation, brightness, contrast, sharpness adjustable by client software or web browser

Target Cropping	No
Day/Night Switch	Day/Night/Auto/Schedule/Triggered by alarm in (-S)
Network	
Network Storage	Support built-in microSD/SDHC/SDXC card (128G), local storage and NAS (NFS,SMB/CIFS), ANR
Alarm Trigger	Motion detection, video tampering, network disconnected, IP address conflict, illegal login, HDD full, HDD error
Protocols	TCP/IP, ICMP, HTTP, HTTPS, FTP, DHCP, DNS, DDNS, RTP, RTSP, RTCP, PPPoE, NTP, UPnP™, SMTP, SNMP, IGMP, 802.1X, QoS, IPv6, Bonjour
General Function	One-key reset, anti-flicker, heartbeat, three streams, mirror, password protection, privacy mask, watermark, IP address filter
Firmware Version	V5.5.6
API	ONVIF (PROFILE S, PROFILE G), ISAPI
Simultaneous Live View	Up to 6 channels
User/Host	Up to 32 users 3 levels: Administrator, Operator and User
Client	iVMS-4200, Hik-Connect, iVMS-5200, iVMS-4500
Web Browser	IE8+, Chrome 31.0-44, Firefox 30.0-51, Safari 8.0+
Interface	
Audio (-S)	1 input (line in), 1 output (line out), mono sound
Communication Interface	1 RJ45 10M/100M self-adaptive Ethernet port
Alarm (-S)	2 inputs, 2 outputs
Video Output (-S)	CVBS
On-board Storage	Built-in microSD/SDHC/SDXC slot, up to 128 GB
SVC	H.264 and H.265 encoding support
Reset Button	Yes
Audio (-S)	
Environment Noise Filtering	Yes
Audio Sampling Rate	8 kHz/16 kHz/32 kHz/44.1 kHz/48 kHz
General	
Operating Conditions	-30 °C to +60 °C (22 °F to +140 °F), humidity 95% or less (non-condensing)
Power Supply	12 VDC ± 25%, Φ 5.5 mm coaxial plug power PoE (802.3af, class 3)
Power Consumption and Current	-Z: 12 VDC, 0.8 A, max. 10 W PoE: (802.3af, 36V-57V), 0.4 A to 0.2 A, max. 12 W Without -Z: 12 VDC, 0.5 A, max. 6 W PoE: (802.3af, 36V-57V), 0.3 A to 0.1 A, max. 8 W
Protection Level	IP67, IK10
Material	Front cover & Base: metal, bubble: plastic
Dimensions	Φ 153.3 × 111.6 mm (Φ 6" × 4.4")
Weight	Camera: approx. 880 g (1.9 lb.) With package: approx. 1300 g (2.9 lb.)

Available Models:

Dimensions

DS-2CD2721G0-I(2.8 to 12 mm), DS-2CD2721G0-IZ(2.8 to 12 mm), DS-2CD2721G0-IS(2.8 to 12 mm), DS-2CD2721G0-IZS(2.8 to 12 mm)



Accessories



DS-1273ZJ-155

DS-1271ZJ-155

Distributed by



HIKVISION

Headquarters

No.555 Qianmo Road, Binjiang District,
 Hangzhou 310051, China
 T +86-571-8807-5998
 overseasbusiness@hikvision.com

Hikvision USA
 T +1-909-895-0400
 sales.usa@hikvision.com

Hikvision Europe
 T +31-23-55-42-770
 info.eu@hikvision.com

Hikvision Middle East
 T +971-4-8816086
 salesme@hikvision.com

Hikvision Russia
 T +7-495-669-67-99
 saleru@hikvision.com

Hikvision India
 T +91-22-28469900
 sales@pramahikvision.com

Hikvision Italy
 T +39-0438-6902
 info.it@hikvision.com

Hikvision France
 T +33(0)1-85-330-450
 info.fr@hikvision.com

Hikvision Spain
 T +34-91-737-16-55
 info.es@hikvision.com

Hikvision Poland
 T +48-22-460-01-50
 poland@hikvision.com

Hikvision UK
 T +01628-902140
 support.uk@hikvision.com

Hikvision Singapore
 T +65-6684-4718
 sg@hikvision.com

Hikvision Oceania
 T +61-2-8599-4233
 salesau@hikvision.com

Hikvision Canada
 T +1-909-895-0400
 sales.usa@hikvision.com

Hikvision Korea
 T +82-31-731-8841
 sales.korea@hikvision.com

Hikvision Brazil
 T +55 11 3318-0050
 Latam.support@hikvision.com

Hikvision Africa
 T +27 (0) 0351172
 sale.africa@hikvision.com

Hikvision Hong Kong
 T +852-2151-1761

05050620180404