

## DS-2CD1023G0E-IF 2 MP IR Fixed Bullet Network Camera



- 1/2.7" Progressive Scan CMOS
- 1920 × 1080@30fps
- 2.8/4 mm fixed lens
- Color: 0.01 Lux @ (F1.6, AGC ON), 0 Lux with IR
- H.265+, H.265, H.264+, H.264
- BLC/3D DNR/ROI
- IR range: Up to 30 m
- 3-Axis adjustment
- IP67



## Specifications

Camera	
Image Sensor	1/2.7" Progressive Scan CMOS
Min. Illumination	Color: 0.01 Lux @ (F1.6, AGC ON), 0 Lux with IR
Shutter Speed	1/3 s to 1/100,000 s
Slow Shutter	Yes
Day & Night	IR Cut Filter
WDR	DWDR
Angle Adjustment	Pan: 0° to 360°, tilt: 0° to 180°, rotate: 0° to 360°
Lens	
Lens Type	Fixed lens, 2.8/4 mm
Aperture	F1.6
FOV	2.8mm: Horizontal FOV: 113.4°, vertical FOV: 59.8°, diagonal FOV: 135.6° 4 mm: Horizontal FOV: 91.5°, vertical FOV: 46.1°, diagonal FOV: 109.8°
Lens Mount	M12
Illuminator	
IR Range	Up to 30 m
Wavelength	850 nm
Video	
Max. Resolution	1920 × 1080
Main Stream	50Hz: 25fps (1920 × 1080, 1280 × 960, 1280 × 720) 60Hz: 30fps (1920 × 1080, 1280 × 960, 1280 × 720)
Sub Stream	50Hz: 25fps (640 × 480, 640 × 360, 320 × 240) 60Hz: 30fps (640 × 480, 640 × 360, 320 × 240)
Video Compression	Main stream: H.265+/H.264+/H.265/H.264 Sub-stream: H.265/H.264/MJPEG
H.264 Type	Baseline Profile/Main Profile/High Profile
H.264+	Main stream supports
H.265 Type	Main Profile
H.265+	Main stream supports
Video Bit Rate	32 Kbps to 8 Mbps
Smart Feature-Set	
Basic Event	Motion detection, video tampering alarm, exception (illegal login, HDD full, HDD error)
Linkage Method	Upload to FTP/memory card, notify surveillance center, send email, trigger capture
Region of Interest	1 fixed region for main stream
Image	
Image Enhancement	BLC, 3D DNR
Image Setting	Rotate mode, saturation, brightness, contrast, sharpness, AGC and white balance adjustable by client software or web browser
Day/Night Switch	Day/Night/Auto/Schedule

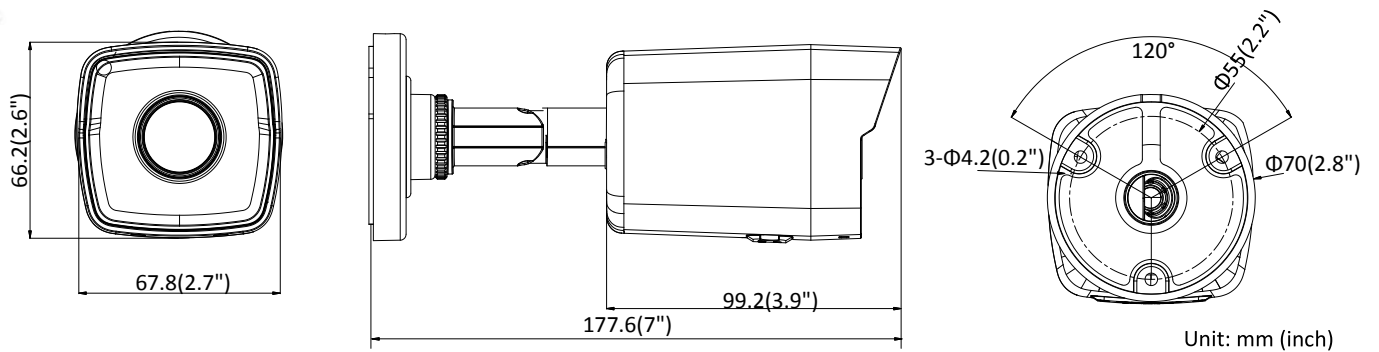
Network	
Network Storage	microSD/SDHC/SDXC card (128 GB) (supports image and logs storage only), local storage
Protocols	TCP/IP, ICMP, HTTP, HTTPS, FTP, DHCP, DNS, RTP, RTSP, RTCP, NTP, IGMP, QoS, UDP
API	ONVIF (PROFILE S, PROFILE G), ISAPI, SDK
Simultaneous Live View	Up to 6 channels
User/Host	Up to 32 users, 3 levels: administrator, operator and user
Client	iVMS-4200, Hik-Connect, Hik-Central
Web Browser	IE8+, Chrome 41.0-44, Firefox30.0-51, Safari8.0-11
Interface	
Communication Interface	1 RJ45 self-adaptive Ethernet port
On-board storage	Built-in micro SD/SDHC/SDXC slot, up to 128 GB (supports image and logs storage only)
General	
Firmware Version	5.5.83
General Function	One-key reset, heartbeat, mirror, password protection, privacy mask, watermark, IP address filter
Reset	Reset via reset button on camera body, web browser and client software
Startup and Operating Conditions	-30 °C to 60 °C (-22 °F to 140 °F), humidity 95% or less (non-condensing)
Storage Conditions	-30 °C to 60 °C (-22 °F to 140 °F), humidity 95% or less (non-condensing)
Power Supply	12 VDC ± 25%, Φ 5.5 mm coaxial power plug; PoE (802.3af, class 3)
Power Consumption and Current	12 VDC, 0.30 A, max.3.6 W; PoE (802.3af, 36 V to 57 V), 0.2 A to 0.1 A, max.4.0 W
Material	Front cover: metal, back cover : plastic
Dimensions	Camera: 67.8 × 66.2 × 177.6 mm (2.7" × 2.6" × 7") With package: 216 × 121 × 118 mm (8.5" × 4.8" × 4.6")
Weight	Camera: Approx. 280 g (0.6 lb.) With package: Approx. 480 g (1.1 lb.)
Approval	
EMC	47 CFR Part 15, Subpart B; EN 55032: 2015, EN 61000-3-2: 2014, EN 61000-3-3: 2013, EN 50130-4: 2011 +A1: 2014; AS/NZS CISPR 32: 2015; ICES-003: Issue 6, 2016; KN 32: 2015, KN 35: 2015
Safety	UL 60950-1, IEC 60950-1:2005 + Am 1:2009 + Am 2:2013, EN 60950-1:2005 + Am 1:2009 + Am 2:2013, IS 13252(Part 1):2010+A1:2013+A2:2015, IEC/EN 60950-1
Chemistry	2011/65/EU, 2012/19/EU, Regulation (EC) No 1907/2006
Protection	Ingress protection: IP67 (IEC 60529-2013)

\* Listed resolutions are only selectable options. It does not mean that all streams can work at their maximum resolution at the same time.

## Available Model

DS-2CD1023G0E-IF (2.8/4 mm)

## Dimensions



## Accessory



**DS-1280ZJ-XS**  
**Junction Box**

Distributed by

**HIKVISION®****Headquarters**

No.555 Qianmo Road, Binjiang District,  
Hangzhou 310051, China  
T +86-571-8807-5998  
overseasbusiness@hikvision.com

**Hikvision USA**  
T +1-909-895-0400  
sales.usa@hikvision.com

**Hikvision Australia**  
T +61-2-8599-4233  
salesau@hikvision.com

**Hikvision India**  
T +91-22-28469900  
sales@pramahikvision.com

**Hikvision Canada**  
T +1-866-200-6690  
sales.canada@hikvision.com

**Hikvision Thailand**  
T +662-275-9949  
sales.thailand@hikvision.com

**Hikvision Europe**  
T +31-23-5542770  
sales.eu@hikvision.com

**Hikvision Italy**  
T +39-0438-6902  
info.it@hikvision.com

**Hikvision Brazil**  
T +55 11 3318-0050  
Latam.support@hikvision.com

**Hikvision Turkey**  
T +90 (216)521 7070- 7074  
sales.tr@hikvision.com

**Hikvision Malaysia**  
T +601-7652-2413  
sales.my@hikvision.com

**Hikvision UK & Ireland**  
T +01628-902140  
sales.uk@hikvision.com

**Hikvision South Africa**  
Tel: +27 (10) 0351172  
sale.africa@hikvision.com

**Hikvision France**  
T +33(0)1-85-330-450  
info.fr@hikvision.com

**Hikvision Kazakhstan**  
T +7-727-9730667  
nikia.panfilov@hikvision.ru

**Hikvision Vietnam**  
T +84-974270888  
sales.vt@hikvision.com

**Hikvision UAE**  
T +971-4-4432090  
salesme@hikvision.com

**Hikvision Singapore**  
T +65-6684-4718  
sg@hikvision.com

**Hikvision Spain**  
T +34-91-737-16-55  
info.es@hikvision.com

**Hikvision Tashkent**  
T +99-87-1238-9438  
uzb@hikvision.ru

**Hikvision Hong Kong**  
T +852-2151-1761  
info.hk@hikvision.com

**Hikvision Russia**  
T +7-495-669-67-99  
sateru@hikvision.com

**Hikvision Korea**  
T +82-[0]31-731-8817  
sales.korea@hikvision.com

**Hikvision Poland**  
T +48-22-460-01-50  
info.pl@hikvision.com

**Hikvision Indonesia**  
T +62-21-2933759  
Sales.Indonesia@hikvision.com

**Hikvision Colombia**  
sales.colombia@hikvision.com