

DS-2CD3726G2T-IZS

AcuSense 2 MP Varifocal Dome Network Camera



Empowered by deep learning algorithms, Hikvision AcuSense technology brings human or vehicle target classification alarms to front- and back-end devices. The system can greatly reduce false alarms generated by targets other than humans or vehicles, vastly improving alarm efficiency and effectiveness.

- High quality imaging with 2 MP resolution
- Excellent low-light performance with powered-by-DarkFighter technology
- Clear imaging against strong back light due to 120 dB true WDR technology
- Efficient H.265+ compression technology
- False alarm reduction through human and vehicle target classification based on deep learning
- Water and dust resistant (IP67) and vandal-resistant (IK10)
- 3D DNR technology delivers clean and sharp images



## ▪ Specification

| Camera                 |   |
|------------------------|---|
| Image Sensor           | 1/2.8" Progressive Scan CMOS  |
| Min. Illumination      | 0.002 Lux @ (F1.4, AGC ON), 0 Lux with IR on  |
| Shutter Speed          | 1/3 s to 1/100,000 s  |
| Slow Shutter           | Yes   |
| P/N                    | P/N   |
| Wide Dynamic Range     | 120 dB  |
| Day & Night            | ICR Cut   |
| Angle Adjustment       | Pan: 0° to 355°, tilt: 0° to 75°, rotate: 0° to 355°  |
| Lens                   |   |
| Iris Type              | Auto-Iris   |
| Lens Mount             | 2.7 to 13.5 mm: Ø14<br>7 to 35 mm: Integrated   |
| Lens Type & FOV        | 2.7 to 13.5 mm: horizontal FOV 112.5° to 34°, vertical FOV 57.2° to 18.9°, diagonal FOV 138.1° to 39.1°<br>7 to 35 mm: horizontal FOV 29.7° to 10.9°, vertical FOV 16.5° to 6.2°, diagonal FOV 34.3° to 12.4° |
| Aperture               | 2.7 to 13.5 mm: F1.4<br>7 to 35 mm: F1.7  |
| DORI                   |   |
| DORI                   | 2.7 to 13.5 mm: D: 44 m, O: 17 m, R: 8 m, I: 4 m<br>7 to 35 mm: D: 137 m, O: 54 m, R: 27 m, I: 13 m   |
| Illuminator            |   |
| IR Range               | 2.7 to 13.5 mm: up to 40 m<br>7 to 35 mm: up to 60 m  |
| Wavelength             | 850 nm  |
| Smart Supplement Light | Yes   |
| Video                  |   |
| Max. Resolution        | 1920 × 1080   |
| Main Stream            | 50Hz: up to 50 fps (1920 × 1080, 1280 × 720)<br>60Hz: up to 60 fps (1920 × 1080, 1280 × 720)<br>*High frame rate is supported under certain settings.   |
| Sub-Stream             | 50Hz: 25 fps (640 × 480, 640 × 360, 320 × 240)<br>60Hz: 30 fps (640 × 480, 640 × 360, 320 × 240)  |
| Third Stream           | 50Hz: 15 fps (1280 × 720, 640 × 480, 640 × 360, 320 × 240)<br>60Hz: 15 fps (1280 × 720, 640 × 480, 640 × 360, 320 × 240)  |
| Fourth Stream          | 50Hz: 15 fps (1280 × 720, 640 × 480, 640 × 360, 320 × 240)<br>60Hz: 15 fps (1280 × 720, 640 × 480, 640 × 360, 320 × 240)<br>*Fourth stream is supported under certain settings.                               |
| Video Bit Rate         | 32 Kbps to 8 Mbps   |

|                             |  |
|-----------------------------|--|
| Video Compression           | Main stream: H.265/H.264/H.264+/H.265+<br>Sub-stream: H.265/H.264/MJPEG<br>Third stream: H.265/H.264<br>Fourth Stream: H.265/H.264/MJPEG   |
| H.264 Type                  | Baseline Profile/Main Profile/High Profile   |
| H.265 Type                  | Main Profile   |
| H.264+                      | Main stream supports   |
| H.265+                      | Main stream supports   |
| Bit Rate Control            | CBR/VBR  |
| Scalable Video Coding (SVC) | H.265 and H.264 support  |
| Region of Interest (ROI)    | 5 fixed regions for main stream and sub-stream   |
| e-PTZ                       | Support Preset and Patrol settings<br>*Only the fourth stream supports this function.  |
| <b>Audio</b>                |  |
| Environment Noise Filtering | Yes  |
| Audio Sampling Rate         | 8 kHz/16 kHz/32 kHz/44.1 kHz/48 kHz  |
| Audio Compression           | G.711ulaw/G.711alaw/G.722.1/G.726/MP2L2/PCM/MP3  |
| Audio Bit Rate              | 64Kbps(G.711ulaw/G.711alaw)/16Kbps(G.722.1)/16Kbps(G.726)/32-192Kbps(MP2L2)/8-320Kbps(MP3)   |
| <b>Network</b>              |  |
| Smooth Streaming            | Yes  |
| Simultaneous Live View      | Up to 6 channels   |
| API                         | Open Network Video Interface (PROFILE S, PROFILE G, PROFILE T), ISAPI, SDK   |
| Protocols                   | TCP/IP, ICMP, HTTP, HTTPS, FTP, DHCP, DNS, DDNS, RTP, RTSP, NTP, UPnP, SMTP, IGMP, 802.1X, QoS, IPv4, IPv6, UDP, Bonjour, SSL/TLS, PPPoE, SFTP, ISUP, ARP, SNMP  |
| User/Host                   | Up to 32 users. 3 user levels: administrator, operator and user  |
| Security                    | Password protection, complicated password, HTTPS encryption, IP address filter, Security Audit Log, basic and digest authentication for HTTP/HTTPS, TLS 1.2, WSSE and digest authentication for Open Network Video Interface, memory card encryption, SFTP encryption, SRTP encryption |
| Network Storage             | MicroSD/SDHC/SDXC card (256 GB) local storage, and NAS (NFS, SMB/CIFS), auto network replenishment (ANR), FTP ANR  |
| Client                      | iVMS-4200, Hik-Connect, Hik-Central  |
| Web Browser                 | Plug-in required live view: IE 10, IE 11<br>Plug-in free live view : Chrome 57.0+, Firefox 52.0+<br>Local service: Chrome 57.0+, Firefox 52.0+   |
| <b>Image</b>                |  |
| Day/Night Switch            | Day, Night, Auto, Schedule   |
| Target Cropping             | Yes  |
| Image Enhancement           | BLC, HLC, 3D DNR, EIS, Defog   |
| Image Parameters Switch     | Yes  |
| Image Settings              | Rotate mode, saturation, brightness, contrast, sharpness, gain, white balance adjustable by client software or web browser   |
| <b>Interface</b>            |  |
| Alarm                       | 2 inputs, 2 outputs (max. 24 VDC, 1 A; 24 VAC, 1 A)  |

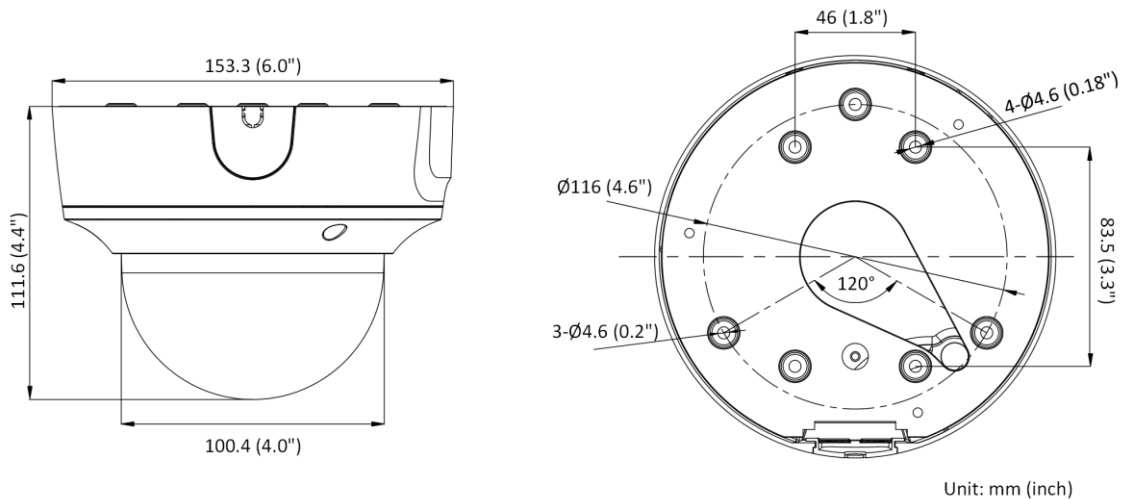
|                                  |   |
|----------------------------------|---|
| Audio                            | 1 input (line in), max. input amplitude: 3.3 vpp, input impedance: 4.7 K $\Omega$ , interface type: non-equilibrium; 1 output (line out), max. output amplitude: 3.3 vpp, output impedance: 100 $\Omega$ , interface type: non-equilibrium  |
| On-board Storage                 | Built-in micro SD/SDHC/SDXC slot, up to 256 GB  |
| Hardware Reset                   | Yes   |
| Communication Interface          | 1 RJ45 10M/100M self-adaptive Ethernet port   |
| Power Output                     | 12 VDC, max. 100 mA (supported by all power supply types)   |
| <b>Event</b>                     |   |
| Basic Event                      | Motion detection, video tampering alarm, exception (network disconnected, IP address conflict, illegal login, HDD full, HDD error)  |
| Smart Event                      | Unattended baggage detection, object removal detection, scene change detection, audio exception detection, video quality diagnosis  |
| <b>Deep Learning Function</b>    |   |
| Face Capture                     | Yes   |
| Perimeter Protection             | Line crossing detection, intrusion detection, region entrance detection, region exiting detection   |
| <b>General</b>                   |   |
| Linkage Method                   | Upload to NAS/memory card, notify surveillance center, trigger record, trigger capture  |
| Web Client Language              | 33 languages<br>English, Russian, Estonian, Bulgarian, Hungarian, Greek, German, Italian, Czech, Slovak, French, Polish, Dutch, Portuguese, Spanish, Romanian, Danish, Swedish, Norwegian, Finnish, Croatian, Slovenian, Serbian, Turkish, Korean, Traditional Chinese, Thai, Vietnamese, Japanese, Latvian, Lithuanian, Portuguese (Brazil), Ukrainian |
| General Function                 | Anti-flicker, heartbeat, mirror, privacy masks, flash log, password reset via e-mail, pixel counter   |
| Software Reset                   | Yes   |
| Storage Conditions               | -30 °C to 60 °C (-22 °F to 140 °F). Humidity 95% or less (non-condensing)   |
| Startup and Operating Conditions | -30 °C to 60 °C (-22 °F to 140 °F). Humidity 95% or less (non-condensing)   |
| Power Supply                     | 12 VDC $\pm$ 25%<br>PoE: 802.3af, class 3   |
| Power Consumption and Current    | 12 VDC, 0.92 A, max. 11 W<br>PoE: (802.3af, 36 V to 57 V), 0.4 A to 0.2 A, max. 12.9 W  |
| Power Interface                  | $\varnothing$ 5.5 mm coaxial power plug   |
| Camera Dimension                 | $\varnothing$ 153.5 $\times$ 111.6 mm (6.0" $\times$ 4.4")  |
| Package Dimension                | 261 $\times$ 217 $\times$ 197 mm (10.3" $\times$ 8.5" $\times$ 7.8")  |
| Camera Weight                    | Approx. 875 g (1.9 lb.)   |
| With Package Weight              | Approx. 1456 g (3.2 lb.)  |
| <b>Approval</b>                  |   |
| EMC                              | FCC SDoC (47 CFR Part 15, Subpart B);<br>CE-EMC (EN 55032: 2015, EN 61000-3-2: 2014, EN 61000-3-3: 2013, EN 50130-4: 2011 +A1: 2014);<br>RCM (AS/NZS CISPR 32: 2015);<br>IC VoC (ICES-003: Issue 6, 2016);<br>KC (KN 32: 2015, KN 35: 2015)   |

|             |   |
|-------------|---|
| Safety      | UL (UL 60950-1);<br>CB (IEC 60950-1:2005 + Am 1:2009 + Am 2:2013, IEC 62368-1:2014);<br>CE-LVD (EN 60950-1:2005 + Am 1:2009 + Am 2:2013, IEC 62368-1:2014);<br>BIS (IS 13252(Part 1):2010+A1:2013+A2:2015);<br>LOA (IEC/EN 60950-1) |
| Environment | CE-RoHS (2011/65/EU); WEEE (2012/19/EU);<br>Reach (Regulation (EC) No 1907/2006)  |
| Protection  | IP67 (IEC 60529-2013), IK10 (IEC 62262:2002)  |

## ▪ Available Model

DS-2CD3726G2T-IZS (2.7 to 13.5 mm, 7 to 35 mm)

## ▪ Dimension

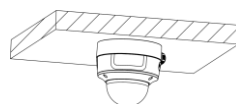


## ▪ Accessory






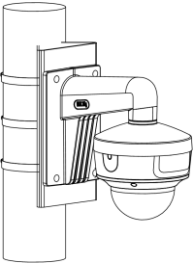
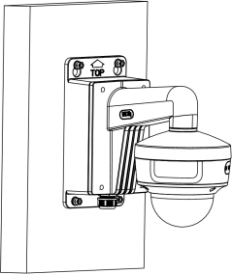
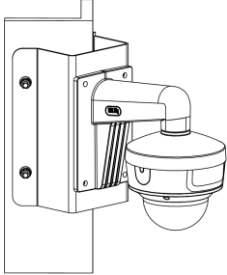
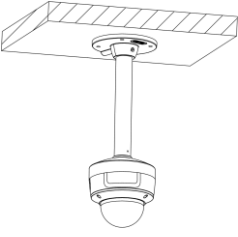
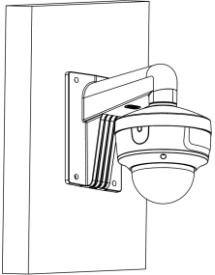

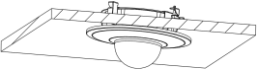
### ▪ Included

**DS-1280ZJ-DM55**

**Junction Box**



▪Optional

| <p><b>DS-1475ZJ-SUS</b><br/><b>Vertical Pole Mount</b></p>                          | <p><b>DS-1473ZJ-155B</b><br/><b>Wall Mount</b></p>                                | <p><b>DS-1476ZJ-SUS</b><br/><b>Corner Mount</b></p>                               | <p><b>DS-1471ZJ-155</b><br/><b>Pendant Mount</b></p>                                | <p><b>DS-1473ZJ-155</b><br/><b>Wall Mount</b></p>                                   |
|---|---|---|---|---|
|    |  |  |  |  |
|    |  |  |   |  |
| <p><b>DS-1227ZJ-DM44</b><br/><b>Pendant Mount</b></p>                               |   |   |   |   |
|  |   |   |   |   |
|  |   |   |   |   |

Distributed by

**HIKVISION®****Headquarters**

No.555 Qianmo Road, Binjiang District,  
Hangzhou 310051, China  
T +86-571-8807-5998  
overseasbusiness@hikvision.com

**Hikvision USA**  
T +1-909-895-0400  
sales.usa@hikvision.com

**Hikvision Australia**  
T +61-2-8599-4233  
salesau@hikvision.com

**Hikvision India**  
T +91-22-28469900  
sales@pramahikvision.com

**Hikvision Canada**  
T +1-866-200-6690  
sales.canada@hikvision.com

**Hikvision Thailand**  
T +662-275-9949  
sales.thailand@hikvision.com

**Hikvision Europe**  
T +31-23-5542770  
sales.eu@hikvision.com

**Hikvision Italy**  
T +39-0438-6902  
info.it@hikvision.com

**Hikvision Brazil**  
T +55 11 3318-0050  
Latam.support@hikvision.com

**Hikvision Turkey**  
T +90 (216)521 7070- 7074  
sales.tr@hikvision.com

**Hikvision Malaysia**  
T +601-7652-2413  
sales.my@hikvision.com

**Hikvision UK & Ireland**  
T +01628-902140  
sales.uk@hikvision.com

**Hikvision South Africa**  
Tel: +27 (10) 0351172  
sale.africa@hikvision.com

**Hikvision France**  
T +33(0)1-85-330-450  
info.fr@hikvision.com

**Hikvision Kazakhstan**  
T +7-727-9730667  
nikia.panfilov@hikvision.ru

**Hikvision Vietnam**  
T +84-974270888  
sales.vt@hikvision.com

**Hikvision UAE**  
T +971-4-4432090  
salesme@hikvision.com

**Hikvision Singapore**  
T +65-6684-4718  
sg@hikvision.com

**Hikvision Spain**  
T +34-91-737-16-55  
info.es@hikvision.com

**Hikvision Tashkent**  
T +99-87-1238-9438  
uzb@hikvision.ru

**Hikvision Hong Kong**  
T +852-2151-1761  
info.hk@hikvision.com

**Hikvision Russia**  
T +7-495-669-67-99  
saleru@hikvision.com

**Hikvision Korea**  
T +82-(0)31-731-8817  
sales.korea@hikvision.com

**Hikvision Poland**  
T +48-22-460-01-50  
info.pl@hikvision.com

**Hikvision Indonesia**  
T +62-21-2933759  
Sales.Indonesia@hikvision.com

**Hikvision Colombia**  
sales.colombia@hikvision.com