

iDS-TCV3(9)01-A(6)I High Performance ANPR Camera



DeepinView

- 3 MP (1/1.8" GMOS), 2064 × 1544@ 60 fps
- 9 MP (1" GMOS), 4096 × 2160@ 30 fps
- Color: 0.001 Lux @ (F1.4, AGC ON)
- H.265, H.264, MJPEG
- 60 dB SNR
- 3D DNR
- Alarm I/O
- 3 RS-485 interfaces
- Two defined streams
- Built-in microSD/TF card, up to 128 GB
- License plate recognition
- IP66
- Larger than 99% for detection sensitivity
- Larger than 97% for LPR accuracy



Superiority

- Dedicated camera for ANPR
 - HD resolution
 - Integrated IR
 - Professional shutter speed control
- Built-in ANPR engine, equipped with deep learning algorithm
- Multiple detection and recognition
 - Vehicle type recognition
 - Vehicle color recognition
 - Vehicle manufacturer
 - Radar speed detection
 - Driving on Lane Line Detection
 - Illegal Lane Change Detection
 - Wrong-way driving detection
 - Seatbelt Detection
 - Phone Call Detection

Application

- Vehicle control
- Traffic monitoring
- Toll collection
- Security

Scenarios

- Highway
- Tunnel
- Toll station
- Urban road



Specification

Camera	iDS-TCV301-A6I	iDS-TCV901-AI
Image Sensor	3 MP (1/1.8" GMOS)	9 MP (1" GMOS)
Min. Illumination	Color: 0.001 Lux @ (F1.4, AGC ON), 0.0005 Lux with IR	
Shutter Speed	50 us-20000 us	50 us-40000 us
Day & Night	IR cut filter	
Digital Noise Reduction	2D/3D DNR	
SNR	60 dB	
Lens		
Focal length	11 mm-40 mm	25 mm
Aperture	F1.4	
Focus	Manual	
FOV	CS-mount Horizontal field: 35°-10° Vertical field: 27°-7°	CS-Mount Horizontal field: 31° Vertical field: 16.9°
	C-mount (adapter ring needed)	
Supplement Light	3 LED strobe supplement lights, 850 nm, angle: 40° Light supplement for license plate up to 30 m far away	
IR		
IR Range	Up to 35 m	Up to 27 m
Wavelength	850 nm	
Compression Standard		
Video Compression	Main stream: H.265/H.264/MJPEG Sub-stream: H.265/H.264/MJPEG	
H.264 Type	Baseline profile/Main profile/High profile	
H.265 Type	Baseline profile/Main profile/High profile	
Video Bit Rate	32 Kbps to 16 Mbps	
Audio Compression	No	
Audio Bit Rate	No	
Smart Feature		
Recognition	License plate recognition	
Coverage	1 lane	2-3 lanes
Trigger Mode	External I/O trigger/Radar trigger/Video trigger	
Supplement Light Type	External strobe/flash/continuous light	
Smart Function	Vehicle type classification, color identification, no-plate vehicle capture, vehicle driving direction detection	
Road Traffic and Vehicle Detection		
Country/Region	<p>Mid-East: United Arab Emirates (Abu Dhabi, Fuchaiha, Dubai, Cape Haima, Ozhman, Sharjah, Umgavan), Qatar, Iran, Iraq, Egypt, Jordan, Kuwait, Saudi Arabia, Pakistan, Oman, Lebanon, Bahrain</p> <p>Africa: Nigeria, Kenya, Cote d'Ivoire, South Africa, Tanzania, Mauritius, Morocco, Tunisia, Sierra Leone, Zambia, Ghana, Zimbabwe, Uganda, Angola, Ethiopia, Senegal, Algeria</p>	

	<p>Asia-Pacific: Australia, New Zealand, Indonesia, Malaysia, Singapore, South Korea, Thailand, Vietnam, Philippines, Hong Kong, Macao, Taiwan, Burma, India, Mongolia, Cambodia, Laos, Bangladesh</p> <p>America: United States of America, Canada, Argentina, Chile, Paraguay, Uruguay, El Salvador, Bolivia, Colombia, Brazil, Ecuador, Peru, Mexico, Panama, Costa Rica, Trinidad and Tobago, Dominican, Guatemala</p> <p>Europe: Turkey, Croatia, Slovakia, Czech Republic, Bulgaria, Macedonia, Hungary, Greece, Poland, France, Netherlands, Switzerland, Spain, Britain, Ireland, Germany, Italy, Austria, Israel, Palestine, Belgium, Luxembourg</p> <p>Russian-Speaking Regions: Azerbaijan, Belarus, Kazakhstan, Lithuania, Georgia, Estonia, Latvia, Russian Federation, Ukraine, Moldova, Uzbekistan, Kyrgyzstan, Armenia, Albania, Kosovo</p>	
Accuracy (Under recommended installation and lighting conditions)	<p>Capture rate > 98%</p> <p>Vehicle moving direction recognition accuracy > 98.5%</p> <p>LPR accuracy > 98%</p> <p>Mistaken capture rate < 2%</p> <p>European and Russian-Speaking Regions: LPR accuracy > 98%</p> <p>Country/Region recognition accuracy > 95%</p>	
No License Plate Detection	Supported	
Motorcycle LPR	Supported	
Vehicle Type	Car/Van/Bus/Truck/Others	
Vehicle Color	Red, yellow (including orange), green, blue, purple, brown, white, grey (including silver), black Recognizable at daytime only	
Vehicle Manufacturer	65 manufacturers: HYUNDAI, TOYOTA, KIA, HONDA, VOLKSWAGEN, BENZ, NISSAN, FORD, ISUZU, BMW, CHEVROLET, MITSUBISHI, RENAULT, OPEL, SUZUKI, SKODA, DAEWOO, AUDI, MAZDA, HINO, PEUGEOT, SSANG YONG, CITROEN, FIAT, SCANIA, MAN, VOLVO, LEXUS, SEAT, LAND ROVER, DAIHATSU, UD TRUCKS, SUBARU, IVECO, MINI, JEEP, PORSCHE, CHERY, DODGE, CHRYSLER, ACURA, ALFA ROMEO, GREAT WALL, INFINITY, SMART, SAIC MAXUS, JAC, JAGUAR, JMC, LINCOLN, JMC, SAAB, FAW, YUTONG, LWE, JOYLONG, GEELY, CADILLAC, JINBEI, ANKAI, HAIMA, FOTON, KING LONG, DONGFENG, EMGRAND	
License Plate Color Recognition	Customized to support	
Driving on Lane Line Detection	Supported (only strobe light mode)	
Illegal Lane Change Detection	Supported (only strobe light mode)	
Wrong-way Driving Detection	Supported	
Emergency Lane Occupation	Supported (truck forbidden lane, emergency lane, urban bus lane)	
Seatbelt Detection	Supported (with flash supplement light SL-1211-2I)	
Phone Call Detection	Supported (with flash supplement light SL-1211-2I)	
Capture Speed Range	5 to 250 km/h	
Image		
Max. Resolution	2064 × 1544	4096 × 2160
Main Stream	50 Hz: 50 fps (2064 × 1544, 2048 × 1536, 1920 × 1080) 60 Hz: 60 fps (2064 × 1544, 2048 × 1536, 1920 × 1080)	50 Hz: 25 fps (4096 × 2160, 1920 × 1080P, 1280 × 720) 60 Hz: 30 fps (4096 × 2160, 1920 × 1080P, 1280 × 720)
Sub-Stream	1920 × 1080, 1280 × 720, 704 × 576, 352 × 288	1920 × 1080, 704 × 576
Image Enhancement	BLC, HLC, 3D DNR	

Image Settings	Rotate mode, saturation, brightness, contrast, sharpness, AGC, and white balance are adjustable by client software or web browser.	Saturation, brightness, contrast, sharpness, AGC, and white balance are adjustable by client software or web browser.
Video Compression	H.264 and H.265 encoding	
Day/Night Switch	Auto/Scheduled/Triggered by alarm in	
Picture Overlay	LOGO picture can be overlaid on video with 128 × 128 24-bit bmp format.	
Network		
Network Storage	microSD/TF card (128 GB), local storage and CVR, NVR, ANR	
Alarm Trigger	HDD Error, network disconnected, IP address conflicted, vehicle detector exception, traffic light detector exception	
Protocols	TCP/IP, HTTP, HTTPS, FTP, DNS, DDNS, RTP, RTSP, RTCP, NTP, UPnP, IPv6, UDP	
Security Measures	Password protection, HTTPS encryption, digest authentication for HTTP/HTTPS, digest authentication for ONVIF (Version 2.1)	
General Function	One-key reset, three streams, heartbeat, password protection, watermark	
API	ONVIF (Version 2.1, PROFILE S, PROFILE G), ISAPI, SDK	
Simultaneous Live View	Up to 20 channels	
User/Host	Up to 32 users 3 user levels: administrator, operator and user	
Client	iVMS-8600, iVMS-4200 (Only for video live view and LPR information search)	
Web Browser	IE8-IE11, plug-in free live view supported	
Interface		
Audio	No	
Communication Interface	2 RJ45 10M/100M/1000M self-adaptive Ethernet interfaces 3 RS-485 interfaces (half duplex, HIKVISION) 1 RS-232 interface	
Alarm	4 input interfaces, 6 output interfaces	
On-board storage	Built-in microSD/TF card, up to 128 GB	
BNC	CVBS analog output (4CIF resolution), internal	
Reset Button	Supported	
GPS	Optional	
General		
Firmware Version	V4.3.1	
Operating System	Linux	
Certifications	CE, FCC, RoHS	
Operating Conditions	Temperature: -40 °C to +60 °C (-40 °F to +140 °F) Humidity: 95% or less (non-condensing)	
Power Supply	24 VDC ± 20%/100 to 240 VAC	
Protection Level	IP66	
Heater	Supported	
Material	Aluminum alloy	
Dimensions	With package: 175.68 × 137.5 × 443.99 mm	
Weight	Camera: approx. 6.5 ± 0.5 kg (14.3 ± 1.1 lb)	
Power Consumption	< 30 W	

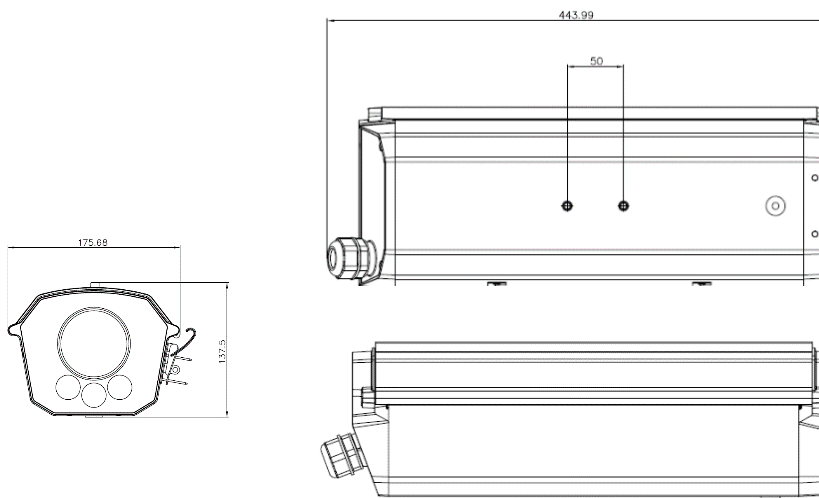
* Listed resolutions are only selectable options. It does not mean that all streams can work at their maximum resolution at the same time.

Available Model

iDS-TCV301-A6I

iDS-TCV901-AI

Dimension



Unit: mm

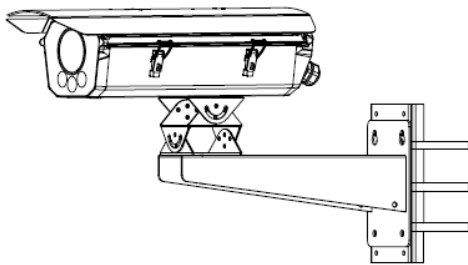
Accessory



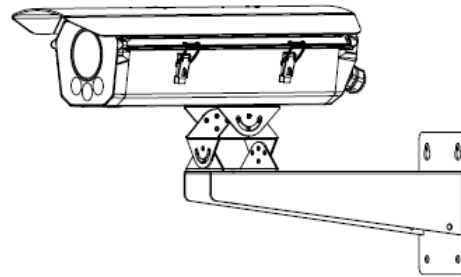
DS-1275ZJ-HWB/600mm
DS-1130-HWB/110-300



DS-1701ZJ/HWB



Pillar-mounted



Wall-mounted

Distributed by

**HIKVISION®****Headquarters**

No.555 Qianmo Road, Binjiang District,
Hangzhou 310051, China
T +86-571-8807-5998
overseasbusiness@hikvision.com

Hikvision USA
T +1-909-895-0400
sales.usa@hikvision.com

Hikvision Australia
T +61-2-8599-4233
salesau@hikvision.com

Hikvision India
T +91-22-28469900
sales@pramahikvision.com

Hikvision Canada
T +1-866-200-6690
sales.canada@hikvision.com

Hikvision Thailand
T +662-275-9949
sales.thailand@hikvision.com

Hikvision Europe
T +31-23-5542770
sales.eu@hikvision.com

Hikvision Italy
T +39-0438-6902
info.it@hikvision.com

Hikvision Brazil
T +55 11 3318-0050
Latam.support@hikvision.com

Hikvision Turkey
T +90 (216)521 7070- 7074
sales.tr@hikvision.com

Hikvision Malaysia
T +601-7652-2413
sales.my@hikvision.com

Hikvision UK & Ireland
T +01628-902140
sales.uk@hikvision.com

Hikvision South Africa
Tel: +27 (10) 0351172
sale.africa@hikvision.com

Hikvision France
T +33(0)1-85-330-450
info.fr@hikvision.com

Hikvision Kazakhstan
T +7-727-9730667
nikia.panfilov@hikvision.ru

Hikvision Vietnam
T +84-974270888
sales.vt@hikvision.com

Hikvision UAE
T +971-4-4432090
salesme@hikvision.com

Hikvision Singapore
T +65-6684-4718
sg@hikvision.com

Hikvision Spain
T +34-91-737-16-55
info.es@hikvision.com

Hikvision Tashkent
T +99-87-1238-9438
uzb@hikvision.ru

Hikvision Hong Kong
T +852-2151-1761
info.hk@hikvision.com

Hikvision Russia
T +7-495-669-67-99
saleru@hikvision.com

Hikvision Korea
T +82-(0)31-731-8817
sales.korea@hikvision.com

Hikvision Poland
T +48-22-460-01-50
info.pl@hikvision.com

Hikvision Indonesia
T +62-21-2933759
Sales.Indonesia@hikvision.com

Hikvision Colombia
sales.colombia@hikvision.com