

IDS-TCV300/900-A(6)I /H1 Highly Performance ANPR Camera



Superiority

- Dedicated camera for ANPR
 - HD resolution
 - Professional shutter speed control
 - Shutter Speed 1/25s to 1/100,000s
- Embedded integration component design. Built-in ANPR engine, equipped with deep learning algorithm
- Multiple detection and recognition
 - Video Detection
 - Vehicle type recognition
 - Vehicle color recognition
 - Vehicle Manufacturer
 - Wrong-way driving detection
 - Radar speed measurement

Application

- Vehicle control
- Traffic monitoring
- Security

Scenarios

- Highway
- Tunnel
- Urban road

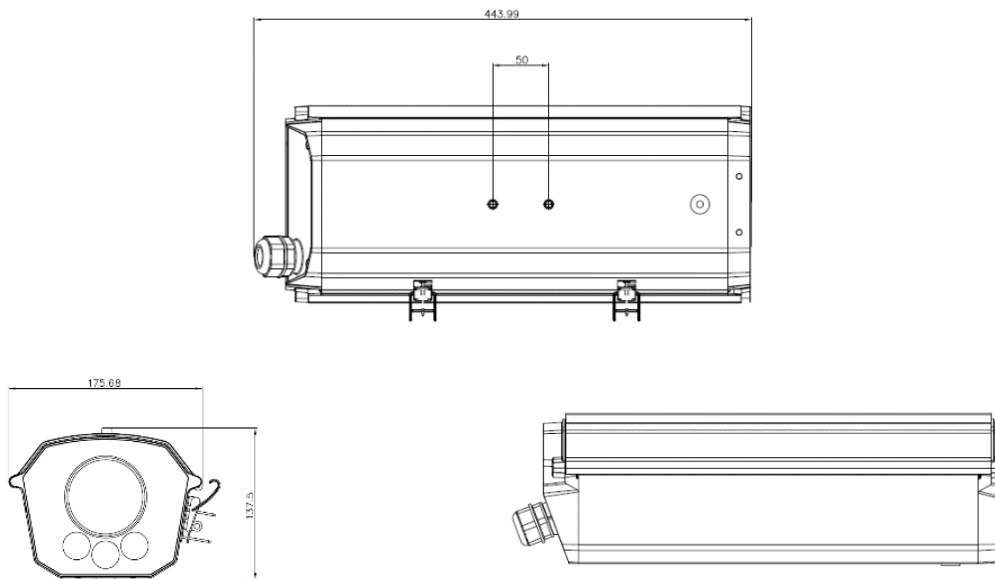


Specifications

Model	iDS-TCV300-A6I/1140/H1	iDS-TCV900-AI/25/H1
Software Features and Performance		
Working Distance	Up to 35 m (with 15 to 40 mm focal length)	Up to 27 m (with 25 mm focal length)
Coverage	1 lane	2~3 lanes
Detection Sensitivity	99%	
LPR Accuracy	> 97%	
LPR Region	Mid-East, Africa, Asia-Pacific, India, America, Europe, Russian-Speaking Countries	
Supplement Light	Strobe light/Xeno;n flash light	
OCR	On-board ANPR engine	
Frame rate	50 fps	25fps
Vehicle Type	Car/Van/Bus/Truck/Others	
Vehicle Color	Recognizable at daytime only	
Vehicle Manufacturer	Support	
Capture Speed Range	5 to 250 km/h	
Video Compression	H.265/H.264/MJPEG	
Streaming	RTSP	
Day/Night	Automatic (ICR)/Color and B/W	
Configuration		
Web Server	Support	
TCP/IP Server	SDK	
Time Synchronization	NTP/GPS/Manually	
Software Update	Web/SDK	
Data Transmission		
FTP	FTP, Multiple FTP	
Standard Protocols	TCP/IP, HTTP, HTTPS, FTP, DNS, DDNS, RTP, RTSP, RTCP, NTP, UPnP, IPv6, UDP	
Serial Port	3 RS-485 ports, 1 RS-232 port	
Data Output	SDK/ISAPI	
Trigger Mode		
By Video	Continuous video analysis with automatic vehicle detection, even without plate.	
By External Interfaces	I/O, RS-485	
System		
ANPR Camera	3 MP (1/1.8" CMOS), max. 2064 × 1544	9 MP (1" CMOS), max. 4096 × 2160
Supplement Light	3 LED supplement lights (strobe) , angle: 40°, light supplement for license plate up to 30 m far away	
Programming Interface	ONVIF (Version 2.1), ISAPI	
Lens	CS-Mount, 15 to 40 mm horizontal field: 36.7~11.5° ,vertical field:23.9~7.6° C-Mount (with adapter ring needed)	CS-Mount, 25 mm horizontal field:41.12° , vertical field:31° C-Mount (with adapter ring needed)
Operating System	Linux	
Digital I/O	4-ch inputs, 6-ch outputs	
Connector	Waterproof circular connector	
Protection Level	IP66	

Communication Interface	2 RJ45 10M/100M/1000M self-adaptive Ethernet interfaces
Storage	TF card, up to 128 GB
Heating module	Support ,Build-in module
GPS	Optional
Technical Data	
Certifications	CE, FCC
Operating & Storage Temperature	-30 °C to +70 °C(-22 °F to +158 °F)
Operating & Storage Humidity	5% to 95%@+40 °C (+104 °F), non-condensing
Dimensions (W × H × D)	180 × 152.7 × 636 mm (7.09 × 6.01 × 25.04 inch)
Weight	6.5 ± 0.5 kg (14.3 ± 1.1 lb)
Power Supply	100 to 240 VAC, frequency: 48 to 52 Hz
Power Consumption	< 30 W

Dimensions



Accessories



DS-1275ZJ/HWB



DS-1701ZJ/HWB

Available Models

Power Supply	Product Type
100-240V AC	iDS-TCV300-A6I/1140/H1
	iDS-TCV900-AI/25/H1

Distributed by



HIKVISION®

Headquarters

No.555 Qianmo Road, Binjiang District,
Hangzhou 310051, China
T +86-571-8807-5998
overseasbusiness@hikvision.com

Hikvision USA
T +1-909-895-0400
sales.usa@hikvision.com

Hikvision Europe
T +31-23-55-42-770
info.eu@hikvision.com

Hikvision Middle East
T +971-4-8816086
salesme@hikvision.com

Hikvision Russia
T +7-495-669-67-99
saleru@hikvision.com

Hikvision India
T +91-22-28469900
sales@pramahikvision.com

Hikvision Italy
T +39-0438-6902
info.it@hikvision.com

Hikvision France
T +33(0)1-85-330-450
info.fr@hikvision.com

Hikvision Spain
T +34-91-737-16-55
info.es@hikvision.com

Hikvision Poland
T +48-22-460-01-50
poland@hikvision.com

Hikvision UK
T +01628-902140
support.uk@hikvision.com

Hikvision Singapore
T +65-6684-4718
sg@hikvision.com

Hikvision Oceania
T +61-2-8599-4233
salesau@hikvision.com

Hikvision Canada
T +1-909-895-0400
sales.usa@hikvision.com

Hikvision Korea
T +82-31-731-8841
sales.korea@hikvision.com

Hikvision Brazil
T +55 11 3318-0050
Latam.support@hikvision.com

Hikvision Africa
T +27 (10) 0351172
sale.africa@hikvision.com

Hikvision Hong Kong
T +852-2151-1761