

## SL-1211-2I (850nm) Supplement Light

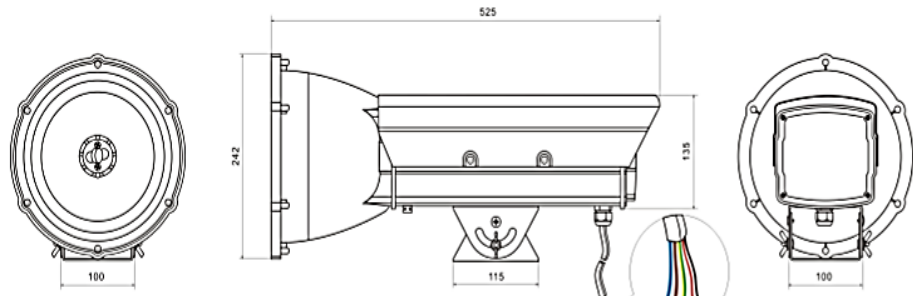


SL-1211-2I(850nm) light is a supplement light with imported infrared by gas discharge, which supplements light simultaneously with capturing picture, controlled by high-definition intelligent cameras.

Key features including:

- High level of consistency between each flash brightness;
- Support continuous flash for 800 us, the brightness difference between each flash no more than 10 % (the flash number within 500ms shall not exceed the threshold of false trigger, the default number is 3)
- Support TTL level trigger manner (5v level, low level trigger) and switch trigger.
- Support brightness level switching function (Reduce light pollution and extend service life by switching supplement light to low level brightness flash model automatically by brightness control)
- Support trigger frequency statistics
- Support false triggering signal shielding function





## Specification

<b>Supplement Light</b>	
Power Supply	AC100~230V Dimensions
Wave Length	≥850 nm(Infrared)
Effective distance	18m to 25m
IR light transmittance	60-70%
Coverage	Single lane
Flash energy (J)	Max. 200 J
Operating Temperature	-25~+ 70 °C
Operating Humidity	20%~90%, no condensation
Trigger Manner	TTL level and switch trigger
Service Life	≥10 Million times
Syncrospeed	<1/1000s
Time of Duration	800 us
Response Time	Max. 65ms
Rated current of Fuse	<3.0A
Other Functions	Strobe Interval Protect
Ingress protection	IP65
Dimension	520×242×236mm
Weight	4.5Kg